

▶ 亚太地区

英飞特电子(杭州)股份有限公司
浙江省杭州市滨江区江虹路459号英飞特科技园(310052)
Tel: +86-571-56565800
E-mail: sales@inventronicsglobal.com

广州英飞特科技有限公司深圳分公司
深圳市南山区沙河西路3151号健兴科技大厦B座二楼
Tel: +86-571-56565800
E-mail: sales@inventronicsglobal.com

英飞特电子日本办事处
Regus Business Center, Shin Kokusai Building 8F, 3-4-1 Marunouchi,
Chiyoda-Ku, Japan 100-0005
Tel: +81-9055297496
E-mail: jp-sales@inventronicsglobal.com

英飞特电子印尼办事处
JB Tower 10th floor
Jl. Kebon Sirih no. 48-50 Gambir, Jakarta, 10110, Indonesia
Tel: +62 21 5095 8096
Email: id-sales@inventronicsglobal.com

英飞特电子新加坡办事处
7 Holland Village Way,
Lobby B, #05-03 / 04 / 05,
Singapore 275748
Tel: +65 9337 5247
E-mail: sg-sales@inventronicsglobal.com

广州英飞特科技有限公司
广州市番禺区钟村街福华路15号1105-1107
E-mail: ds_mktg@inventronicsglobal.com

英飞特(香港)有限公司
E-mail: sales@inventronicsglobal.com

英飞特韩国有限会社
Suite-615, 501, Teheran-ro, Gangnam-gu, Seoul,
Republic of Korea (06168) (V-flex)
Email: kr-sales@inventronicsglobal.com

英飞特电子泰国办事处
E-mail: th-sales@inventronicsglobal.com

英飞特电子越南办事处
E-mail: vn-sales@inventronicsglobal.com

英飞特马来西亚有限公司
Level 4, Uptown 7, Jalan SS21/39, Damansara Utama,
47400 Petaling Jaya, Selangor, Malaysia
Tel: +6012 398 1085
E-mail: my-sales@inventronicsglobal.com

英飞特电子澳大利亚办事处
NSW, Australia
E-mail: anz-sales@inventronicsglobal.com

▶ 欧洲地区

英飞特电子欧洲公司
Polluxstraat 21, 5047 RA Tilburg, The Netherlands
Tel: +31-857-470-061
Email: eu-sales@inventronicsglobal.com

英飞特电子意大利公司
Via Castagnole 65/A, 31100 Treviso, Italy
Email: support@inventronicsglobal.com

英飞特电子德国公司
Parking 31-33, 85748 Garching, Germany
Email: support@inventronicsglobal.com

英飞特电子法国公司
18 Rue Gaston Romazzotti, 67120 Molsheim, France
Tel: +33 3 68 41 88 99
Email: support@inventronicsglobal.com

▶ 印度地区

英飞特电子印度公司
Head Office: 4th & 5th Floor, B-Wing, Skyheights, Valipeer
Road, Kalyan (west), Pin Code-421301
Factory: Survey No.15, All India Logistics Park, Janval Village,
Lonad Village Road, Taluka- Bhiwandi -421 302-Thane
Tel: +91-9845054416
E-mail: in-sales@inventronicsglobal.com

▶ 美洲地区

英飞特电子美国公司
2825 S Tulsa Ave. Oklahoma City, OK 73108 USA
Tel: +1-405-600-7480
E-mail: usa-sales@inventronicsglobal.com

英飞特电子墨西哥公司
Carretera San Martín de las Flores #520
Building 8A Parque Industrial Prologis El Salto
San Pedro Tlaquepaque, Jalisco, Mexico
Tel: +521 3338634039
E-mail: usa-sales@inventronicsglobal.com

▶ 中东与非洲地区

英飞特电子阿联酋公司
#405 E wing HQ Building, DSO, Dubai, UAE
E-mail: support@inventronicsglobal.com

英飞特电子巴西办事处
Barueri/SP, Brazil
Tel: +55(11)2680-8310
E-mail: usa-sales@inventronicsglobal.com



请扫码获取更多地区
销售联系方式



inventronicsglobal.com

inventronics

英飞特电子

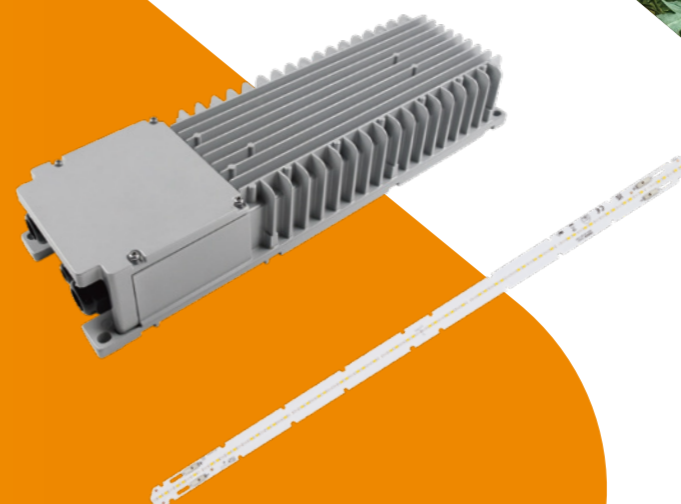
体育照明 植物照明 LED驱动电源 选型手册



体育照明



植物照明



2026 H1

体育照明 系统解决方案 点燃赛事激情

我们设计的驱动电源具备三重身份：“高清电视直播守护者”（符合IEEE 1789标准,1%超低纹波）“高效耐力卫士”（100,000小时寿命,97.5%效率）“动态场景魔法师”（44帧/秒动态调光）——无论是日常训练还是奥运决赛的高光时刻,亦或大面积的复杂照明场景,均能实现全时段、全区域稳定可靠的智慧光环境管控。

专业优势

用精准的照明点亮每一个关键时刻,提升赛事活动影响力!对于运动员、裁判员、现场观众、电视转播商和电视观众而言,卓越的表现需要达到认证的照度水平、实现完美的均匀度并具备实时适应性。



世界级赛事标准



动态控制

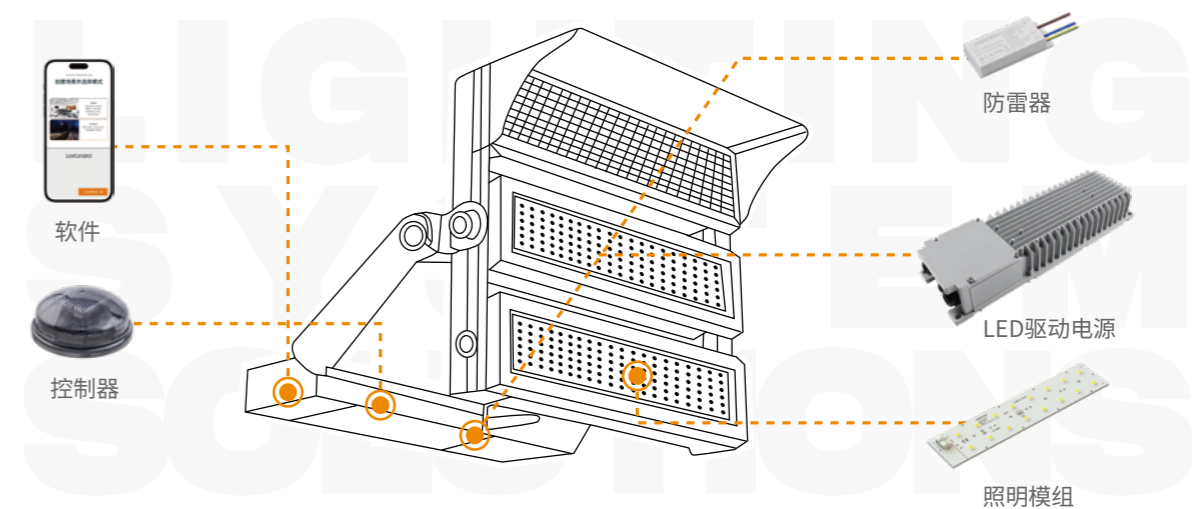


耐用性、能源效率

系统价值

- 完整且协调的照明解决方案, 配备全系列 LED 驱动电源、模组及连接配件, 无缝满足从训练到国际体育赛事等各类需求。
- 系统兼容性消除了客户的后顾之忧。
- 可靠且持久的照明设计, 使用寿命超 100,000小时, 维护需求低, 达到 IP66/IP67 防护等级标准, 即使在恶劣环境下也能保证稳定运行。
- 无闪烁照明设计符合 IEEE 1789 标准, 为高清转播及运动员专注比赛提供清晰舒适的视觉体验。
- 精准稳定的照明控制系统, 支持 0 - 10V、DALI 和 DMX512 等多种协议, 调光精度可达 0.1%, 并支持最高 44 帧/秒的动态控制, 能够针对各类体育场景进行个性化照明调节。

照明系统解决方案



细分应用场景



国际竞技级体育场



国家级比赛体育场



社区休闲级运动场



港口/机场

植物照明 系统解决方案 绿色可持续

我们打造出“光谱大师”(可动态调节 380 - 800 纳米波长)搭配多通道驱动电源、“节能先锋”(效率高达 97.5%)以及“光的卫士”——让植物生长快人一步,收益翻倍升级。

专业优势

每一次丰收都离不开照明的帮助。作为植物照明LED驱动电源领域的全球领导者，英飞特提供耐用可定制的系统，以适应作物生命周期的需求。我们先进的植物照明系统具备以下优势：



系统可靠性



动态光谱调控以
提升产量

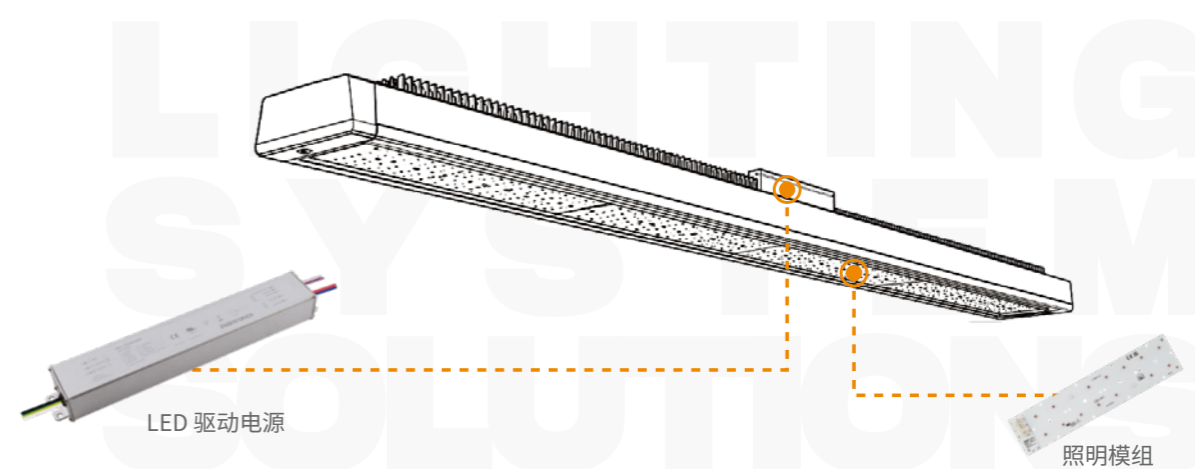


高效节能以
降低用电成本

系统价值

- 具备功率转移功能的多通道驱动电源,可实现 380 - 800 纳米波长动态调节,从而优化光合作用以提高产量。
 - 驱动电源效率达到97%以上,可削减能源成本。
 - 支持多种协议(0 - 10V / 数字调光 / D4i),能够制定自适应照明策略并实现节能。
 - 防护等级达 IP67 的防水驱动电源可确保在潮湿的温室及极端温度环境中可靠运行,最大限度减少停机时间。
- 采用精确控制系统实现灵活的照明方案。

照明系统解决方案



细分应用场景



温室大棚

垂直农场

动物农场

水产



EBM-MG



EFM-Bx



NFM-Gx



NFM-Mx



NFS-BC



NSM-Gx

Product Family 产品系列	Product Name 产品名称	Input Voltage 输入电压 [Vac]	Output Power 输出功率 [W]	Output Voltage Range 输出电压范围 [Vdc]	Output Current 输出电流 [A]	Programming Interface 编程接口	IP Rating 防护等级 [IP]	Isolation 隔离	Surge Protection 防雷保护	Dimming Interface 调光方式	Protection Class 适用灯具等级	Efficiency (max.) 最大效率 [%]	Length 长度 [mm]	Width 宽度 [mm]	Height 高度 [mm]	Lifetime 寿命 [h]	Ambient Temperature Range 工作环境温度 [°C]	Certificates & Approbations 认证	Vaux Voltage 辅助源电压 [V]	Vaux Max Current 辅助源最大输出电流 [mA]	Dim-to-Off 调光关断	Warranty 质保 [年]		
EBM-MG	EBM-1K2S350MG	176 ~ 305	1200	171 462	0.26 ~ 3.5	Wired Programming	66/67	Isolated	6kV/10kV	0-10V/PWM3-Timer-Modes	Digital Dimming 1.0	-	I	96.0%	285	141	48.5	100,000	-40...70	UL, FCC, CE, ENEC, CB, CCC, KC, KCC	12	250	Y	5
	EBM-1K2S525MG	176 ~ 305	1200	114 304	0.395 ~ 5.25	Wired Programming	66/67	Isolated	6kV/10kV	0-10V/PWM3-Timer-Modes	Digital Dimming 1.0	-	I	95.5%	285	141	48.5	100,000	-40...70	UL, FCC, CE, ENEC, CB, CCC, KC, KCC	12	250	Y	5
	EBM-1K2S740MG	176 ~ 305	1200	81 217	0.555 ~ 7.4	Wired Programming	66/67	Isolated	6kV/10kV	0-10V/PWM3-Timer-Modes	Digital Dimming 1.0	-	I	95.5%	285	141	48.5	100,000	-40...70	UL, FCC, CE, ENEC, CB, CCC, KC, KCC	12	250	Y	5
EFM-Bx	EFM-800Q105BG	180 ~ 528	800	150 286	0.0105 ~ 1.05	NFC Programmer	66/67	Isolated	6kV/10kV	DALI-2DMX-RDM3-Timer-Modes	-	D4i	I	95.5%	285	141	48.5	52,000	-40...70	UL, FCC, CCC	24	125	Y	5
	EFM-800Q105BT	180 ~ 528	800	150 286	0.0105 ~ 1.05	NFC Programmer	66/67	Isolated	6kV/10kV	DALI-2DMX-RDM3-Timer-Modes	-	D4i	I	95.5%	285	141	48.5	52,000	-40...70	Class P, UL, FCC	24	125	Y	5
	EFM-800T140BG	180 ~ 528	800	150 286	0.014 ~ 1.4	NFC Programmer	66/67	Isolated	6kV/10kV	DALI-2DMX-RDM3-Timer-Modes	-	D4i	I	96.0%	285	141	48.5	52,000	-40...70	UL, FCC, CCC	24	125	Y	5
	EFM-800T140BT	180 ~ 528	800	150 286	0.014 ~ 1.4	NFC Programmer	66/67	Isolated	6kV/10kV	DALI-2DMX-RDM3-Timer-Modes	-	D4i	I	96.0%	285	141	48.5	52,000	-40...70	Class P, UL, FCC	24	125	Y	5
NFM-Gx	NFM-500S200GG	180 ~ 528	500	150 500	0.001 ~ 2	NFC Programmer	66/67	Non-isolated	10kV/10kV	DALI-2DMX-RDM0-10V/PWMResistor3-Timer-Modes	Digital Dimming 2.0	D4i	I	96.0%	245	76.5	38.5	120,000	-40...70	UL, FCC, CE, ENEC, CB, CCC, Global mark	12	250	Y	5
	NFM-500S200GT	180 ~ 528	500	150 500	0.001 ~ 2	NFC Programmer	66/67	Non-isolated	10kV/10kV	DALI-2DMX-RDM0-10V/PWMResistor3-Timer-Modes	Digital Dimming 2.0	D4i	I	96.0%	245	76.5	38.5	120,000	-40...70	Class P, UL, FCC, CE	12	250	Y	5
	NFM-680S270GG	180 ~ 528	680	150 500	0.00136 ~ 2.7	NFC Programmer	66/67	Non-isolated	10kV/10kV	DALI-2DMX-RDM0-10V/PWMResistor3-Timer-Modes	Digital Dimming 2.0	D4i	I	97.0%	256	90	43.5	120,000	-40...70	UL, FCC, CE, ENEC, CB, CCC, Global mark	12	250	Y	5
	NFM-680S270GT	180 ~ 528	680	150 500	0.00136 ~ 2.7	NFC Programmer	66/67	Non-isolated	10kV/10kV	DALI-2DMX-RDM0-10V/PWMResistor3-Timer-Modes	Digital Dimming 2.0	D4i	I	97.0%	256	90	43.5	120,000	-40...70	Class P, UL, FCC, CE	12	250	Y	5
	NFM-880S350GG	180 ~ 528	880	150 500	0.00176 ~ 3.5	NFC Programmer	66/67	Non-isolated	10kV/10kV	DALI-2DMX-RDM0-10V/PWMResistor3-Timer-Modes	Digital Dimming 2.0	D4i	I	97.0%	253	108	44.5	120,000	-40...70	UL, FCC, CE, ENEC, CB, PSE, Global mark	12	250	Y	5
	NFM-880S350GT	180 ~ 528	880	150 500	0.00176 ~ 3.5	NFC Programmer	66/67	Non-isolated	10kV/10kV	DALI-2DMX-RDM0-10V/PWMResistor3-Timer-Modes	Digital Dimming 2.0	D4i	I	97.0%	253	108	44.5	120,000	-40...70	Class P, UL, FCC, CE	12	250	Y	5
	NFM-1K2S480GG	180 ~ 528	1200	150 500	0.0024 ~ 4.8	NFC Programmer	66/67	Non-isolated	10kV/10kV	DALI-2DMX-RDM0-10V/PWMResistor3-Timer-Modes	Digital Dimming 2.0	D4i	I	98.0%	288	108	48.5	108,000	-40...70	UL, FCC, CE, ENEC, CB, CCC, KC, KCC, Global mark	12	250	Y	5
	NFM-1K2S480GT	180 ~ 528	1200	150 500	0.0024 ~ 4.8	NFC Programmer	66/67	Non-isolated	10kV/10kV	DALI-2DMX-RDM0-10V/PWMResistor3-Timer-Modes	Digital Dimming 2.0	D4i	I	98.0%	288	108	48.5	108,000	-40...70	Class P, UL, FCC, CE	12	250	Y	5
NFM-Mx	NFM-500S200MG	180 ~ 528	500	150 500	0.01 ~ 2	NFC Programmer	66/67	Non-isolated	10kV/10kV	0-10V/PWMResistor3-Timer-Modes	Digital Dimming 2.0	-	I	96.0%	245	76.5	38.5	120,000	-40...70	UL, FCC, CE, ENEC, CB, CCC, Global mark	12	250	Y	5
	NFM-500S200MT	180 ~ 528	500	150 500	0.01 ~ 2	NFC Programmer	66/67	Non-isolated	10kV/10kV	0-10V/PWMResistor3-Timer-Modes	Digital Dimming 2.0	-	I	96.0%	245	76.5	38.5	120,000	-40...70	Class P, UL, FCC, CE	12	250	Y	5
	NFM-680S270MG	180 ~ 528	680	150 500	0.0136 ~ 2.7	NFC Programmer	66/67	Non-isolated	10kV/10kV	0-10V/PWMResistor3-Timer-Modes	Digital Dimming 2.0	-	I	97.0%	256	90	43.5	120,000	-40...70	UL, FCC, CE, ENEC, CB, CCC, Global mark	12	250	Y	5
	NFM-680S270MT	180 ~ 528	680	150 500	0.0136 ~ 2.7	NFC Programmer	66/67	Non-isolated	10kV/10kV	0-10V/PWMResistor3-Timer-Modes	Digital Dimming 2.0	-	I	97.0%	256	90	43.5	120,000	-40...70	Class P, UL, FCC, CE	12	250	Y	5
	NFM-880S350MG	180 ~ 528	880	150 500	0.0176 ~ 3.5	NFC Programmer	66/67	Non-isolated	10kV/10kV	0-10V/PWMResistor3-Timer-Modes	Digital Dimming 2.0	-	I	97.0%	253	108	44.5	120,000	-40...70	UL, FCC, CE, ENEC, CB, Global mark	12	250	Y	5
	NFM-880S350MT	180 ~ 528	880	150 500	0.0176 ~ 3.5	NFC Programmer	66/67	Non-isolated	10kV/10kV	0-10V/PWMResistor3-Timer-Modes	Digital Dimming 2.0	-	I	97.0%	253	108	44.5	120,000	-40...70	Class P, UL, FCC, CE	12	250	Y	5
	NFM-1K2S480MG	180 ~ 528	1200	150 500	0.024 ~ 4.8	NFC Programmer	66/67	Non-isolated	10kV/10kV	0-10V/PWMResistor3-Timer-Modes	Digital Dimming 2.0	-	I	98.0%	288	108	48.5	108,000	-40...70	UL, FCC, CE, ENEC, CB, CCC, KC, KCC, Global mark	12	250	Y	5
	NFM-1K2S480MT	180 ~ 528	1200	150 500	0.024 ~ 4.8	NFC Programmer	66/67	Non-isolated	10kV/10kV	0-10V/PWMResistor3-Timer-Modes	Digital Dimming 2.0	-	I	98.0%	288	108	48.5	108,000	-40...70	Class P, UL, FCC, CE	12	250	Y	5
NFS-BC	NFS-600S210BC	180 ~ 528	600	176 500	0.0012 ~ 2.1	NFC Programmer	66	Non-isolated	10kV/10kV	DALI-2DMX-RDM3-Timer-Modes	-	D4i	I	97.0%	310	145	70	100,000	-40...70	Class P, UL, FCC, CE, ENEC, CB, CCC, Global mark	24	125	Y	5
	NFS-900S360BC	180 ~ 528	900	150 500	0.0018 ~ 3.6	NFC Programmer	66	Non-isolated	10kV/10kV	DALI-2DMX-RDM3-Timer-Modes	-	D4i	I	97.5%	310	145	70	100,000	-40...70	Class P, UL, FCC, CE, ENEC, CCC, Global mark	24	125	Y	5
	NFS-1K2D210BC	180 ~ 528	1200	176 500	0.0012 ~ 2.1	NFC Programmer	66	Non-isolated	10kV/10kV	DALI-2DMX-RDM3-Timer-Modes	-	D4i	I	97.0%	500	152	80	100,000	-40...70	Class P, UL, FCC, CE, ENEC, CB, CCC, Global mark	24	125	Y	5
	NFS-1K8T210BC	180 ~ 528	1800	176 500	0.0012 ~ 2.1	NFC Programmer	66	Non-isolated	10kV/10kV	DALI-2DMX-RDM3-Timer-Modes	-	D4i	I	97.5%	500	152	80	115,000	-40...70	Class P, UL, FCC, CE, ENEC, CB, CCC, KC, KCC, Global mark	24	125	Y	5
NSM-Gx	NSM-680S200GG	249 ~ 528	680	150 500	0.00136 ~ 2	NFC Programmer	66/67	Non-isolated	10kV/10kV	DALI-2DMX-RDM0-10V/PWMResistor3-Timer-Modes	Digital Dimming 2.0	D4i	I	97.0%	245	76.5	38.5	120,000	-40...70	UL, FCC, CE, ENEC, CB, CCC, Global mark	12	250	Y	5
	NSM-680S200GT	249 ~ 528	680	150 500	0.00136 ~ 2	NFC Programmer	66/67	Non-isolated	10kV/10kV	DALI-2DMX-RDM0-10V/PWMResistor3-Timer-Modes	Digital Dimming 2.0	D4i	I	97.0%	245	76.5	38.5	120,000	-40...70	Class P, UL, FCC, CE	12	250	Y	5
	NSM-880S270GG	249 ~ 528	880	150 500	0.00176 ~ 2.7	NFC Programmer	66/67	Non-isolated	10kV/10kV	DALI-2DMX-RDM0-10V/PWMResistor3-Timer-Modes	Digital Dimming 2.0	D4i	I	97.5%	256	90	43.5	120,000	-40...70	UL, FCC, CE, ENEC, CB, CCC, Global mark	12	250	Y	5
	NSM-880S270GT	249 ~ 528	880	150 500	0.00176 ~ 2.7	NFC Programmer	66/67	Non-isolated	10kV/10kV	DALI-2DMX-RDM0-10V/PWMResistor3-Timer-Modes	Digital Dimming 2.0	D4i	I	97.5%	256	90	43.5	120,000	-40...70	Class P, UL, FCC, CE	12	250	Y	5
	NSM-1K2S350GG	249 ~ 528	1200	150 500	0.0024 ~ 3.5	NFC Programmer	66/67	Non-isolated	10kV/10kV	DALI-2DMX-RDM0-10V/PWMResistor3-Timer-Modes	Digital Dimming 2.0	D4i	I	97.0%	253	108	44.5	120,000	-40...70	UL, FCC, CE, ENEC, CB, CCC, KC, KCC, Global mark	12	250	Y	5
	NSM-1K2S350GT	249 ~ 528	1200	150 500	0.0024 ~ 3.5	NFC Programmer	66/67	Non-isolated	10kV/10kV	DALI-2DMX-RDM0-10V/PWMResistor3-Timer-Modes	Digital Dimming 2.0	D4i	I	97.0%	253	108	44.5	120,000	-40...70	Class P, UL, FCC, CE	12	250	Y	5
	NSM-1K5S480GG	249 ~ 528	1500	150 500	0.003 ~ 4.8	NFC Programmer	66/67	Non-isolated	10kV/10kV	DALI-2DMX-RDM0-10V/PWMResistor3-Timer-Modes	Digital Dimming 2.0	D4i	I	98.0%	288	108	48.5	120,000	-40...70	UL, FCC, CE, ENEC, CB, CCC, KC, KCC, Global mark	12	250	Y	5
NSM-1K5S480GT	249 ~ 528	1500	150 500	0.003 ~ 4.8	NFC Programmer	66/67	Non-isolated	10kV/10kV	DALI-2DMX-RDM0-10V/PWMResistor3-Timer-Modes	Digital Dimming 2.0	D4i	I	98.0%	288	108	48.5	120,000	-40...70	Class P, UL, FCC, CE	12	250	Y	5	



NSM-Mx



NSS-BC



SSM-Hx

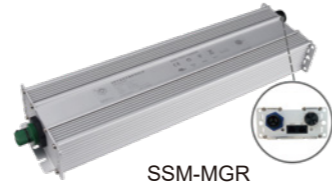


SSM-Mx

Product Family 产品系列	Product Name 产品名称	Input Voltage 输入电压 [Vac]	Output Power 输出功率 [W]	Output Voltage Range 输出电压范围 [Vdc]	Output Current 输出电流 [A]	Programming Interface 编程接口	IP Rating 防护等级 [IP]	Isolation 隔离	Surge Protection 防雷保护	Dimming Interface 调光方式	Protection Class 适用灯具等级	Efficiency (max.) 最大效率 [%]	Length 长度 [mm]	Width 宽度 [mm]	Height 高度 [mm]	Lifetime 寿命 [h]	Ambient Temperature Range 工作环境温度 [°C]	Certificates & Approbations 认证	Vaux Voltage 辅助源电压[V]	Vaux Max Current 辅助源最大输出电流[mA]	Dim-to-Off 调光关断	Warranty 质保 [年]		
NSM-Mx	NSM-680S200MG	249 ~ 528	680	150 500	0.0136 ~ 2	NFC Programmer	66/67	Non-isolated	10kV/10kV	0-10V/PWM/Resistor/3-Timer-Modes	Digital Dimming 2.0	-	I	97.0%	245	76.5	38.5	120,000	-40...70	UL, FCC, CE, ENEC, CB, CCC, Global mark	12	250	Y	5
	NSM-680S200MT	249 ~ 528	680	150 500	0.0136 ~ 2	NFC Programmer	66/67	Non-isolated	10kV/10kV	0-10V/PWM/Resistor/3-Timer-Modes	Digital Dimming 2.0	-	I	97.0%	245	76.5	38.5	120,000	-40...70	Class P, UL, FCC, CE	12	250	Y	5
	NSM-880S270MG	249 ~ 528	880	150 500	0.0176 ~ 2.7	NFC Programmer	66/67	Non-isolated	10kV/10kV	0-10V/PWM/Resistor/3-Timer-Modes	Digital Dimming 2.0	-	I	97.5%	256	90	43.5	120,000	-40...70	UL, FCC, CE, ENEC, CB, CCC, Global mark	12	250	Y	5
	NSM-880S270MT	249 ~ 528	880	150 500	0.0176 ~ 2.7	NFC Programmer	66/67	Non-isolated	10kV/10kV	0-10V/PWM/Resistor/3-Timer-Modes	Digital Dimming 2.0	-	I	97.5%	256	90	43.5	120,000	-40...70	Class P, UL, FCC, CE	12	250	Y	5
	NSM-1K2S350MG	249 ~ 528	1200	150 500	0.024 ~ 3.5	NFC Programmer	66/67	Non-isolated	10kV/10kV	0-10V/PWM/Resistor/3-Timer-Modes	Digital Dimming 2.0	-	I	97.5%	253	108	44.5	120,000	-40...70	UL, FCC, CE, ENEC, CB, CCC, KC, KCC, Global mark	12	250	Y	5
	NSM-1K2S350MT	249 ~ 528	1200	150 500	0.024 ~ 3.5	NFC Programmer	66/67	Non-isolated	10kV/10kV	0-10V/PWM/Resistor/3-Timer-Modes	Digital Dimming 2.0	-	I	97.5%	253	108	44.5	120,000	-40...70	Class P, UL, FCC, CE	12	250	Y	5
	NSM-1K5S480MG	249 ~ 528	1500	150 500	0.03 ~ 4.8	NFC Programmer	66/67	Non-isolated	10kV/10kV	0-10V/PWM/Resistor/3-Timer-Modes	Digital Dimming 2.0	-	I	98.0%	288	108	48.5	120,000	-40...70	UL, FCC, CE, ENEC, CB, CCC, KC, KCC, Global mark	12	250	Y	5
NSM-1K5S480MT	249 ~ 528	1500	150 500	0.03 ~ 4.8	NFC Programmer	66/67	Non-isolated	10kV/10kV	0-10V/PWM/Resistor/3-Timer-Modes	Digital Dimming 2.0	-	I	98.0%	288	108	48.5	120,000	-40...70	Class P, UL, FCC, CE	12	250	Y	5	
NSS-BC	NSS-700S210BC	249 ~ 528	700	176 500	0.0014 ~ 2.1	NFC Programmer	66	Non-isolated	10kV/10kV	DALI-2/DMX-RDM/3-Timer-Modes	-	D4i	I	97.0%	310	145	70	100,000	-40...70	Class P, UL, FCC, CE, ENEC, CB, CCC, Global mark	24	125	Y	5
	NSS-1K2S360BC	249 ~ 528	1200	176 500	0.0024 ~ 3.6	NFC Programmer	66	Non-isolated	10kV/10kV	DALI-2/DMX-RDM/3-Timer-Modes	-	D4i	I	97.5%	310	145	70	102,000	-40...70	Class P, UL, FCC, CE, ENEC, CCC, Global mark	24	125	Y	5
	NSS-1K5D210BC	249 ~ 528	1500	176 500	0.0015 ~ 2.1	NFC Programmer	66	Non-isolated	10kV/10kV	DALI-2/DMX-RDM/3-Timer-Modes	-	D4i	I	97.0%	500	152	80	100,000	-40...70	Class P, UL, FCC, CE, ENEC, CB, CCC, Global mark	24	125	Y	5
	NSS-2K1T210BC	249 ~ 528	2100	176 500	0.0014 ~ 2.1	NFC Programmer	66	Non-isolated	10kV/10kV	DALI-2/DMX-RDM/3-Timer-Modes	-	D4i	I	97.5%	500	152	80	110,000	-40...70	Class P, UL, FCC, CE, ENEC, CB, CCC, Global mark	24	125	Y	5
SSM-Hx	SSM-220S530HF	249 ~ 528	220	34 54	0.41 ~ 5.3	Wired Programming	65	Isolated	6kV/6kV	0-10V/10V PWM/Resistor	-	-	I	94.5%	312	43.5	31.5	120,000	-40...70	UL, FCC, CE, CB	-	-	-	5
	SSM-330S690HF	249 ~ 528	330	34 54	0.61 ~ 6.9	Wired Programming	65	Isolated	6kV/6kV	0-10V/10V PWM/Resistor	-	-	I	94.5%	392	43.5	31.5	110,000	-40...70	UL, FCC, CE, CB	-	-	-	5
	SSM-440S920HF	249 ~ 528	440	34 54	0.82 ~ 9.2	Wired Programming	65	Isolated	6kV/6kV	0-10V/10V PWM/Resistor	-	-	I	95.0%	402	43.5	31.5	108,000	-40...70	UL, FCC, CE, CB	-	-	-	5
SSM-Mx	SSM-220S530MF	249 ~ 528	220	34 54	0.41 ~ 5.3	Wired Programming	65	Isolated	6kV/6kV	0-10V/10V PWM/Resistor/3-Timer-Modes	-	-	I	94.5%	312	43.5	31.5	116,000	-40...70	UL, FCC, CE, CB	12	250	Y	5
	SSM-220S530MG	249 ~ 528	220	34 54	0.41 ~ 5.3	Wired Programming	65	Isolated	6kV/6kV	0-10V/10V PWM/Resistor/3-Timer-Modes	-	-	I	94.5%	322	43.5	31.5	116,000	-40...70	UL, FCC, CE, CB	12	250	Y	5
	SSM-220S530MT	249 ~ 528	220	34 54	0.41 ~ 5.3	Wired Programming	65	Isolated	6kV/6kV	0-10V/10V PWM/Resistor/3-Timer-Modes	-	-	I	94.5%	322	43.5	31.5	116,000	-40...70	UL, FCC, CE	12	250	Y	5
	SSM-330S690MF	249 ~ 528	330	34 54	0.61 ~ 6.9	Wired Programming	65	Isolated	6kV/6kV	0-10V/10V PWM/Resistor/3-Timer-Modes	-	-	I	94.5%	392	43.5	31.5	110,000	-40...70	UL, FCC, CE, CB	12	250	Y	5
	SSM-330S690MG	249 ~ 528	330	34 54	0.61 ~ 6.9	Wired Programming	65	Isolated	6kV/6kV	0-10V/10V PWM/Resistor/3-Timer-Modes	-	-	I	94.5%	402	43.5	31.5	110,000	-40...70	UL, FCC, CE, CB	12	250	Y	5
	SSM-330S690MT	249 ~ 528	330	34 54	0.61 ~ 6.9	Wired Programming	65	Isolated	6kV/6kV	0-10V/10V PWM/Resistor/3-Timer-Modes	-	-	I	94.5%	402	43.5	31.5	110,000	-40...70	UL, FCC, CE	12	250	Y	5
	SSM-440S920MF	249 ~ 528	440	34 54	0.82 ~ 9.2	Wired Programming	65	Isolated	6kV/6kV	0-10V/10V PWM/Resistor/3-Timer-Modes	-	-	I	95.0%	402	43.5	31.5	108,000	-40...70	UL, FCC, CE, CB	12	250	Y	5
	SSM-440S920MG	249 ~ 528	440	34 54	0.82 ~ 9.2	Wired Programming	65	Isolated	6kV/6kV	0-10V/10V PWM/Resistor/3-Timer-Modes	-	-	I	95.0%	412	43.5	31.5	108,000	-40...70	UL, FCC, CE, CB	12	250	Y	5
	SSM-440S920MT	249 ~ 528	440	34 54	0.82 ~ 9.2	Wired Programming	65	Isolated	6kV/6kV	0-10V/10V PWM/Resistor/3-Timer-Modes	-	-	I	95.0%	412	43.5	31.5	108,000	-40...70	UL, FCC, CE	12	250	Y	5
	SSM-760S15AMG	249 ~ 528	760	34 54	1.4 ~ 15.8	Wired Programming	66/67	Isolated	6kV/10kV	0-10V/PWM/Resistor/3-Timer-Modes	Digital Dimming 1.0	-	I	95.0%	354	90	48.5	111,000	-40...70	UL, FCC, CE, CB	12	250	Y	5
	SSM-760S15AMT	249 ~ 528	760	34 54	1.4 ~ 15.8	Wired Programming	66/67	Isolated	6kV/10kV	0-10V/PWM/Resistor/3-Timer-Modes	Digital Dimming 1.0	-	I	95.0%	354	90	48.5	111,000	-40...70	UL, FCC, CE	12	250	Y	5
	SSM-1K0S840MG	249 ~ 528	1000	84 149	0.672 ~ 8.4	Wired Programming	66/67	Isolated	6kV/10kV	0-10V/PWM/Resistor/3-Timer-Modes	Digital Dimming 1.0	-	I	95.5%	389	90	48.5	100,000	-40...70	UL, FCC, CE, CB	12	250	Y	5
	SSM-1K0S21AMG	249 ~ 528	1000	34 54	1.85 ~ 21	Wired Programming	66/67	Isolated	6kV/10kV	0-10V/PWM/Resistor/3-Timer-Modes	Digital Dimming 1.0	-	I	96.0%	389	90	48.5	100,000	-40...70	UL, FCC, CE, CB	12	250	Y	5
	SSM-1K0S840MT	249 ~ 528	1000	84 149	0.672 ~ 8.4	Wired Programming	66/67	Isolated	6kV/10kV	0-10V/PWM/Resistor/3-Timer-Modes	Digital Dimming 1.0	-	I	95.5%	389	90	48.5	100,000	-40...70	UL, FCC, CE	12	250	Y	5
	SSM-1K0S21AMT	249 ~ 528	1000	34 54	1.85 ~ 21	Wired Programming	66/67	Isolated	6kV/10kV	0-10V/PWM/Resistor/3-Timer-Modes	Digital Dimming 1.0	-	I	96.0%	389	90	48.5	100,000	-40...70	UL, FCC, CE	12	250	Y	5
	SSM-1K0S400MG	249 ~ 528	1000	175 312	0.32 ~ 4	Wired Programming	66/67	Isolated	6kV/10kV	0-10V/PWM/Resistor/3-Timer-Modes	Digital Dimming 1.0	-	I	96.0%	389	90	48.5	100,000	-40...70	UL, FCC, CE, CB	12	250	Y	5
	SSM-1K0S400MT	249 ~ 528	1000	175 312	0.32 ~ 4	Wired Programming	66/67	Isolated	6kV/10kV	0-10V/PWM/Resistor/3-Timer-Modes	Digital Dimming 1.0	-	I	96.0%	389	90	48.5	100,000	-40...70	UL, FCC, CE	12	250	Y	5
	SSM-1K5S600MG	249 ~ 528	1500	175 375	0.4 ~ 6.0	Wired Programming	66/67	Isolated	6kV/10kV	0-10V/PWM/Resistor/3-Timer-Modes	Digital Dimming 1.0	-	I	96.0%	464	90	48.5	100,000	-40...70	UL, FCC, CE, ENEC, CB, CCC, KC, KCC	12	250	Y	5
	SSM-1K5S12AMG	249 ~ 528	1500	84 150	1.0 ~ 12.5	Wired Programming	66/67	Isolated	6kV/10kV	0-10V/PWM/Resistor/3-Timer-Modes	Digital Dimming 1.0	-	I	95.5%	464	90	48.5	100,000	-40...70	UL, FCC, CE, ENEC, CB, CCC, KC, KCC	12	250	Y	5
	SSM-1K5S31AMG	249 ~ 528	1500	34 54	2.8 ~ 31.5	Wired Programming	66/67	Isolated	6kV/10kV	0-10V/PWM/Resistor/3-Timer-Modes	Digital Dimming 1.0	-	I	96.0%	464	90	48.5	100,000	-40...70	UL, FCC, CE, ENEC, CB, KC	12	250	Y	5
SSM-1K5S600MT	249 ~ 528	1500	175 375	0.4 ~ 6.0	Wired Programming	66/67	Isolated	6kV/10kV	0-10V/PWM/Resistor/3-Timer-Modes	Digital Dimming 1.0	-	I	96.0%	464	90	48.5	100,000	-40...70	UL, FCC, CE	12	250	Y	5	
SSM-1K5S12AMT	249 ~ 528	1500	84 150	1.0 ~ 12.5	Wired Programming	66/67	Isolated	6kV/10kV	0-10V/PWM/Resistor/3-Timer-Modes	Digital Dimming 1.0	-	I	95.5%	464	90	48.5	100,000	-40...70	UL, FCC, CE	12	250	Y	5	
SSM-1K5S31AMT	249 ~ 528	1500	34 54	2.8 ~ 31.5	Wired Programming	66/67	Isolated	6kV/10kV	0-10V/PWM/Resistor/3-Timer-Modes	Digital Dimming 1.0	-	I	96.0%	464	90	48.5	100,000	-40...70	UL, FCC, CE	12	250	Y	5	



SSM-MGS



SSM-MGR



SUM-Hx



SUM-Mx

Product Family 产品系列	Product Name 产品名称	Input Voltage 输入电压 [Vac]	Output Power 输出功率 [W]	Output Voltage Range 输出电压范围 [Vdc]	Output Current 输出电流 [A]	Programming Interface 编程接口	IP Rating 防护等级 [IP]	Isolation 隔离	Surge Protection 防雷保护	Dimming Interface 调光方式	Protection Class 适用灯具等级	Efficiency (max.) 最大效率 [%]	Length 长度 [mm]	Width 宽度 [mm]	Height 高度 [mm]	Lifetime 寿命 [h]	Ambient Temperature Range 工作环境温度 [°C]	Certificates & Approbations 认证	Vaux Voltage 辅助源电压 [V]	Vaux Max Current 最大输出电流 [mA]	Dim-to-Off 调光关闭	Warranty 质保 [年]		
SSM-MGS	SSM-760S15AMGS	249 ~ 528	760	34 54	1.4 ~ 15.8	Wired Programming	66/67	Isolated	6kV/10kV	0-10V/PWM/Resistor/3-Timer-Modes	Digital Dimming 1.0	-	I	95.0%	390	108	48.5	111,000	-40...70	UL, FCC, CE, CB	12	250	Y	5
	SSM-1K0S400MGS	249 ~ 528	1000	175 312	0.32 ~ 4	Wired Programming	66/67	Isolated	6kV/10kV	0~10V/PWM/Resistor/3-Timer-Modes	Digital Dimming 1.0	-	I	96.0%	425	108	48.5	100,000	-40...70	UL, FCC, CE, CB	12	250	Y	5
	SSM-1K0S840MGS	249 ~ 528	1000	84 149	0.672 ~ 8.4	Wired Programming	66/67	Isolated	6kV/10kV	0~10V/PWM/Resistor/3-Timer-Modes	Digital Dimming 1.0	-	I	95.5%	425	108	48.5	100,000	-40...70	UL, FCC, CE, CB	12	250	Y	5
	SSM-1K0S20AMGS	249 ~ 528	1000	34 54	1.85 ~ 20	Wired Programming	66/67	Isolated	6kV/10kV	0~10V/PWM/Resistor/3-Timer-Modes	Digital Dimming 1.0	-	I	96.0%	425	108	48.5	100,000	-40...70	UL, FCC, CE, CB	12	250	Y	5
SSM-MGR	SSM-760S15AMGR	249 ~ 528	760	34 54	1.4 ~ 15.8	Wired Programming	66	Isolated	6kV/10kV	0-10V/PWM/Resistor/3-Timer-Modes	Digital Dimming 1.0	-	I	95.0%	390	108	48.5	111,000	-40...70	UL, FCC, CE, CB	-	-	Y	5
	SSM-1K0S400MGR	249 ~ 528	1000	175 312	0.32 ~ 4	Wired Programming	66	Isolated	6kV/10kV	0~10V/PWM/Resistor/3-Timer-Modes	Digital Dimming 1.0	-	I	96.0%	425	108	48.5	100,000	-40...70	UL, FCC, CE, CB	-	-	Y	5
	SSM-1K0S840MGR	249 ~ 528	1000	84 149	0.672 ~ 8.4	Wired Programming	66	Isolated	6kV/10kV	0~10V/PWM/Resistor/3-Timer-Modes	Digital Dimming 1.0	-	I	95.5%	425	108	48.5	100,000	-40...70	UL, FCC, CE, CB	-	-	Y	5
	SSM-1K0S20AMGR	249 ~ 528	1000	34 54	1.85 ~ 20	Wired Programming	66	Isolated	6kV/10kV	0~10V/PWM/Resistor/3-Timer-Modes	Digital Dimming 1.0	-	I	96.0%	425	108	48.5	100,000	-40...70	UL, FCC, CE, CB	-	-	Y	5
SUM-Hx	SUM-110S105HF	90 ~ 305	110	80 157	0.07 ~ 1.05	Wired Programming	65	Isolated	6kV/10kV	0-10V/10V PWM/Resistor	-	-	I	91.5%	186	43.5	31.5	120,000	-40...70	UL, FCC, CE, CB, KS	-	-	-	5
	SUM-110S260HF	90 ~ 305	110	30 56	0.195 ~ 2.6	Wired Programming	65	Isolated	6kV/10kV	0-10V/10V PWM/Resistor	-	-	I	91.0%	186	43.5	31.5	120,000	-40...70	UL, FCC, CE, CB, KS	-	-	-	5
	SUM-220S530HF	90 ~ 305	220	30 54	0.41 ~ 5.3	Wired Programming	65	Isolated	6kV/6kV	0-10V/10V PWM/Resistor	-	-	I	94.5%	272	43.5	31.5	120,000	-40...70	UL, FCC, CE, CB	-	-	-	5
	SUM-330S690HF	90 ~ 305	330	34 54	0.61 ~ 6.9	Wired Programming	65	Isolated	6kV/6kV	0-10V/10V PWM/Resistor	-	-	I	95.0%	372	43.5	31.5	103,000	-40...70	UL, FCC, CE, CB	-	-	-	5
	SUM-440S920HF	90 ~ 305	440	34 54	0.82 ~ 9.2	Wired Programming	65	Isolated	6kV/6kV	0-10V/10V PWM/Resistor	-	-	I	94.5%	402	43.5	31.5	117,000	-40...70	UL, FCC, CE, CB	-	-	-	5
SUM-Mx	SUM-110S105MF	90 ~ 305	110	80 157	0.07 ~ 1.05	Wired Programming	65	Isolated	6kV/10kV	0-10V/10V PWM/Resistor	-	-	I	91.5%	186	43.5	31.5	120,000	-40...70	UL, FCC, CE, CB, KS	-	-	Y	5
	SUM-110S260MF	90 ~ 305	110	30 56	0.195 ~ 2.6	Wired Programming	65	Isolated	6kV/10kV	0-10V/10V PWM/Resistor	-	-	I	91.0%	186	43.5	31.5	120,000	-40...70	UL, FCC, CE, CB, KS	-	-	Y	5
	SUM-110S105MG	90 ~ 305	110	80 157	0.07 ~ 1.05	Wired Programming	65	Isolated	6kV/10kV	0-10V/10V PWM/Resistor	-	-	I	91.5%	196	43.5	31.5	120,000	-40...70	UL, FCC, CE, CB, KS	-	-	Y	5
	SUM-110S260MG	90 ~ 305	110	30 56	0.195 ~ 2.6	Wired Programming	65	Isolated	6kV/10kV	0-10V/10V PWM/Resistor	-	-	I	91.0%	196	43.5	31.5	120,000	-40...70	UL, FCC, CE, CB, KS	-	-	Y	5
	SUM-110S105MT	90 ~ 305	110	80 157	0.07 ~ 1.05	Wired Programming	65	Isolated	6kV/10kV	0-10V/10V PWM/Resistor	-	-	I	91.5%	196	43.5	31.5	120,000	-40...70	UL, FCC, CE, KS	-	-	Y	5
	SUM-110S260MT	90 ~ 305	110	30 56	0.195 ~ 2.6	Wired Programming	65	Isolated	6kV/10kV	0-10V/10V PWM/Resistor	-	-	I	91.0%	196	43.5	31.5	120,000	-40...70	UL, FCC, CE, KS	-	-	Y	5
	SUM-220S530MF	90 ~ 305	220	30 54	0.41 ~ 5.3	Wired Programming	65	Isolated	6kV/6kV	0-10V/10V PWM/Resistor/3-Timer-Modes	-	-	I	94.5%	272	43.5	31.5	120,000	-40...70	UL, FCC, CE, CB, KS	-	-	Y	5
	SUM-220S530MG	90 ~ 305	220	30 54	0.41 ~ 5.3	Wired Programming	65	Isolated	6kV/6kV	0-10V/10V PWM/Resistor/3-Timer-Modes	-	-	I	94.5%	282	43.5	31.5	120,000	-40...70	UL, FCC, CE, CB, KS	-	-	Y	5
	SUM-220S530MT	90 ~ 305	220	30 54	0.41 ~ 5.3	Wired Programming	65	Isolated	6kV/6kV	0-10V/10V PWM/Resistor/3-Timer-Modes	-	-	I	94.5%	282	43.5	31.5	120,000	-40...70	UL, FCC, CE, KS	-	-	Y	5
	SUM-330S690MF	90 ~ 305	330	34 54	0.61 ~ 6.9	Wired Programming	65	Isolated	6kV/6kV	0-10V/10V PWM/Resistor/3-Timer-Modes	-	-	I	95.5%	372	43.5	31.5	120,000	-40...70	UL, FCC, CE, CB	-	-	Y	5
	SUM-330S690MG	90 ~ 305	330	34 54	0.61 ~ 6.9	Wired Programming	65	Isolated	6kV/6kV	0-10V/10V PWM/Resistor/3-Timer-Modes	-	-	I	95.5%	382	43.5	31.5	120,000	-40...70	UL, FCC, CE, CB	-	-	Y	5
	SUM-330S690MT	90 ~ 305	330	34 54	0.61 ~ 6.9	Wired Programming	65	Isolated	6kV/6kV	0-10V/10V PWM/Resistor/3-Timer-Modes	-	-	I	95.5%	382	43.5	31.5	120,000	-40...70	UL, FCC, CE	-	-	Y	5
	SUM-440S920MF	90 ~ 305	440	34 54	0.82 ~ 9.2	Wired Programming	65	Isolated	6kV/6kV	0-10V/10V PWM/Resistor/3-Timer-Modes	-	-	I	94.5%	402	43.5	31.5	100,000	-40...70	UL, FCC, CE, CB	-	-	Y	5
	SUM-440S920MG	90 ~ 305	440	34 54	0.82 ~ 9.2	Wired Programming	65	Isolated	6kV/6kV	0-10V/10V PWM/Resistor/3-Timer-Modes	-	-	I	94.5%	412	43.5	31.5	100,000	-40...70	UL, FCC, CE, CB	-	-	Y	5
SUM-440S920MT	90 ~ 305	440	34 54	0.82 ~ 9.2	Wired Programming	65	Isolated	6kV/6kV	0-10V/10V PWM/Resistor/3-Timer-Modes	-	-	I	94.5%	412	43.5	31.5	100,000	-40...70	UL, FCC, CE	-	-	Y	5	



Product Family 产品系列	Product Name 产品名称	Input Voltage 输入电压 [Vac]	Output Power 输出功率 [W]	Output Voltage Range 输出电压范围 [Vdc]	Output Current 输出电流 [A]	Programming Interface 编程接口	IP Rating 防护等级 [IP]	Isolation 隔离	Surge Protection 防雷保护	Dimming Interface 调光方式	Protection Class 适用灯具等级	Efficiency (max.) 最大效率 [%]	Length 长度 [mm]	Width 宽度 [mm]	Height 高度 [mm]	Lifetime 寿命 [h]	Ambient Temperature Range 工作环境温度 [°C]	Certificates & Approbations 认证	Vaux Voltage 辅助源电压 [V]	Vaux Max Current 辅助源最大输出电流 [mA]	Dim-to-Off 调光关闭	Warranty 质保 [年]		
SUM-Mx	SUM-760S15AMG	90 ~ 305	760	34 54	1.4 ~ 15.8	Wired Programming	66/67	Isolated	6kV/10kV	0~10V/PWM/Resistor/3-Timer-Modes	Digital Dimming 1.0	-	I	95.5%	354	90	48.5	102,000	-40...70	UL, FCC, CE, CB	12	250	Y	5
	SUM-760S15AMT	90 ~ 305	760	34 54	1.4 ~ 15.8	Wired Programming	66/67	Isolated	6kV/10kV	0~10V/PWM/Resistor/3-Timer-Modes	Digital Dimming 1.0	-	I	95.5%	354	90	48.5	102,000	-40...70	UL, FCC, CE	12	250	Y	5
	SUM-1K0S840MG	90 ~ 305	1000	84 149	0.672 ~ 8.4	Wired Programming	66/67	Isolated	6kV/10kV	0~10V/PWM/Resistor/3-Timer-Modes	Digital Dimming 1.0	-	I	95.0%	389	90	48.5	110,000	-40...70	UL, FCC, CE, ENEC, CB, Global mark	12	250	Y	5
	SUM-1K0S21AMG	90 ~ 305	1000	34 54	1.85 ~ 21	Wired Programming	66/67	Isolated	6kV/10kV	0~10V/PWM/Resistor/3-Timer-Modes	Digital Dimming 1.0	-	I	96.0%	389	90	48.5	110,000	-40...70	UL, FCC, CE, ENEC, CB	12	250	Y	5
	SUM-1K0S840MT	90 ~ 305	1000	84 149	0.672 ~ 8.4	Wired Programming	66/67	Isolated	6kV/10kV	0~10V/PWM/Resistor/3-Timer-Modes	Digital Dimming 1.0	-	I	95.0%	389	90	48.5	110,000	-40...70	UL, FCC, CE	12	250	Y	5
	SUM-1K0S21AMT	90 ~ 305	1000	34 54	1.85 ~ 21	Wired Programming	66/67	Isolated	6kV/10kV	0~10V/PWM/Resistor/3-Timer-Modes	Digital Dimming 1.0	-	I	96.0%	389	90	48.5	110,000	-40...70	UL, FCC, CE	12	250	Y	5
	SUM-1K0S400MG	90 ~ 305	1000	175 312	0.32 ~ 4	Wired Programming	66/67	Isolated	6kV/10kV	0~10V/PWM/Resistor/3-Timer-Modes	Digital Dimming 1.0	-	I	95.5%	389	90	48.5	110,000	-40...70	UL, FCC, CE, ENEC, CB, Global mark	12	250	Y	5
	SUM-1K0S400MT	90 ~ 305	1000	175 312	0.32 ~ 4	Wired Programming	66/67	Isolated	6kV/10kV	0~10V/PWM/Resistor/3-Timer-Modes	Digital Dimming 1.0	-	I	95.5%	389	90	48.5	110,000	-40...70	UL, FCC, CE	12	250	Y	5
	SUM-1K5S12AMG	90 ~ 305	1500	84 150	1 ~ 12.5	Wired Programming	66/67	Isolated	6kV/10kV	0~10V/PWM/Resistor/3-Timer-Modes	Digital Dimming 1.0	-	I	96.5%	464	90	48.5	104,000	-40...70	UL, FCC, CE, ENEC, CB, CCC, KC, KCC, Global mark	12	250	Y	5
	SUM-1K5S31AMG	90 ~ 305	1500	34 54	2.8 ~ 31.5	Wired Programming	66/67	Isolated	6kV/10kV	0~10V/PWM/Resistor/3-Timer-Modes	Digital Dimming 1.0	-	I	96.5%	464	90	48.5	104,000	-40...70	UL, FCC, CE, ENEC, CB, KC	12	250	Y	5
	SUM-1K5S12AMT	90 ~ 305	1500	84 150	1 ~ 12.5	Wired Programming	66/67	Isolated	6kV/10kV	0~10V/PWM/Resistor/3-Timer-Modes	Digital Dimming 1.0	-	I	96.5%	464	90	48.5	104,000	-40...70	UL, FCC, CE	12	250	Y	5
	SUM-1K5S31AMT	90 ~ 305	1500	34 54	2.8 ~ 31.5	Wired Programming	66/67	Isolated	6kV/10kV	0~10V/PWM/Resistor/3-Timer-Modes	Digital Dimming 1.0	-	I	96.5%	464	90	48.5	104,000	-40...70	UL, FCC, CE	12	250	Y	5
	SUM-1K5S600MG	90 ~ 305	1500	175 375	0.4 ~ 6.0	Wired Programming	66/67	Isolated	6kV/10kV	0~10V/PWM/Resistor/3-Timer-Modes	Digital Dimming 1.0	-	I	96.0%	464	90	48.5	104,000	-40...70	UL, FCC, CE, ENEC, CB, CCC, KC, KCC, Global mark	12	250	Y	5
	SUM-1K5S600MT	90 ~ 305	1500	175 375	0.4 ~ 6.0	Wired Programming	66/67	Isolated	6kV/10kV	0~10V/PWM/Resistor/3-Timer-Modes	Digital Dimming 1.0	-	I	96.0%	464	90	48.5	104,000	-40...70	UL, FCC, CE	12	250	Y	5
SUM-MGS	SUM-760S15AMGS	90 ~ 305	760	34 54	1.4 ~ 15.8	Wired Programming	66/67	Isolated	6kV/10kV	0~10V/PWM/Resistor/3-Timer-Modes	Digital Dimming 1.0	-	I	95.5%	390	108	48.5	102,000	-40...70	UL, FCC, CE, CB	12	250	Y	5
	SUM-1K0S400MGS	90 ~ 305	1000	175 312	0.32 ~ 4	Wired Programming	66/67	Isolated	6kV/10kV	0~10V/PWM/Resistor/3-Timer-Modes	Digital Dimming 1.0	-	I	95.5%	425	108	48.5	110,000	-40...70	UL, FCC, CE, ENEC, CB, Global mark	12	250	Y	5
	SUM-1K0S840MGS	90 ~ 305	1000	84 149	0.672 ~ 8.4	Wired Programming	66/67	Isolated	6kV/10kV	0~10V/PWM/Resistor/3-Timer-Modes	Digital Dimming 1.0	-	I	95.0%	425	108	48.5	110,000	-40...70	UL, FCC, CE, ENEC, CB, Global mark	12	250	Y	5
	SUM-1K0S20AMGS	90 ~ 305	1000	34 54	1.85 ~ 20	Wired Programming	66/67	Isolated	6kV/10kV	0~10V/PWM/Resistor/3-Timer-Modes	Digital Dimming 1.0	-	I	96.0%	425	108	48.5	110,000	-40...70	UL, FCC, CE, ENEC, CB	12	250	Y	5
SUM-MGR	SUM-760S15AMGR	90 ~ 305	760	34 54	1.4 ~ 15.8	Wired Programming	66	Isolated	6kV/10kV	0~10V/PWM/Resistor/3-Timer-Modes	Digital Dimming 1.0	-	I	95.5%	390	108	48.5	102,000	-40...70	UL, FCC, CE, CB	-	-	Y	5
	SUM-1K0S400MGR	90 ~ 305	1000	175 312	0.32 ~ 4	Wired Programming	66	Isolated	6kV/10kV	0~10V/PWM/Resistor/3-Timer-Modes	Digital Dimming 1.0	-	I	95.5%	425	108	48.5	110,000	-40...70	UL, FCC, CE, ENEC, CB, Global mark	-	-	Y	5
	SUM-1K0S840MGR	90 ~ 305	1000	84 149	0.672 ~ 8.4	Wired Programming	66	Isolated	6kV/10kV	0~10V/PWM/Resistor/3-Timer-Modes	Digital Dimming 1.0	-	I	95.0%	425	108	48.5	110,000	-40...70	UL, FCC, CE, ENEC, CB, Global mark	-	-	Y	5
	SUM-1K0S20AMGR	90 ~ 305	1000	34 54	1.85 ~ 20	Wired Programming	66	Isolated	6kV/10kV	0~10V/PWM/Resistor/3-Timer-Modes	Digital Dimming 1.0	-	I	96.0%	425	108	48.5	110,000	-40...70	UL, FCC, CE, ENEC, CB	-	-	Y	5
NFL-Mx	NFL-1K0S400MG	180 ~ 528	1000	150 500	0.2 ~ 4	Wired Programming	66/67	Non-isolated	6kV/10kV	0~10V/PWM/Resistor/3-Timer-Modes	Digital Dimming 1.0	-	I	98.00%	309	90	43.5	120,000	-40...70	UL, FCC, CE, ENEC	12	250	Y	5
	NFL-1K0S400MT	180 ~ 528	1000	150 500	0.2 ~ 4	Wired Programming	66/67	Non-isolated	6kV/10kV	0~10V/PWM/Resistor/3-Timer-Modes	Digital Dimming 1.0	-	I	98.00%	309	90	43.5	120,000	-40...70	UL, FCC, CE	12	250	Y	5
	NFL-100S050MF	180 ~ 528	100	333 500	0.033 ~ 0.5	Wired Programming	65	Non-isolated	6kV/6kV	0~10V/PWM/Resistor/3-Timer-Modes	-	-	I	94.00%	267	43.5	31.5	120,000	-40...70	UL, FCC, CE	12	250	Y	5
	NFL-100S050MG	180 ~ 528	100	333 500	0.033 ~ 0.5	Wired Programming	66/67	Non-isolated	6kV/6kV	0~10V/PWM/Resistor/3-Timer-Modes	-	-	I	94.00%	267	43.5	31.5	120,000	-40...70	UL, FCC, CE	12	250	Y	5
	NFL-100S050MT	180 ~ 528	100	333 500	0.033 ~ 0.5	Wired Programming	66/67	Non-isolated	6kV/6kV	0~10V/PWM/Resistor/3-Timer-Modes	-	-	I	94.00%	267	43.5	31.5	120,000	-40...70	UL, FCC, CE	12	250	Y	5