

## ▶ 亚太地区

英飞特电子(杭州)股份有限公司  
浙江省杭州市滨江区江虹路459号英飞特科技园(310052)  
Tel: +86-571-56565800  
E-mail: sales@inventronicsglobal.com

广州英飞特科技有限公司深圳分公司  
深圳市南山区沙河西路3151号健兴科技大厦B座二楼  
Tel: +86-571-56565800  
E-mail: sales@inventronicsglobal.com

英飞特电子日本办事处  
Regus Business Center, Shin Kokusai Building 8F, 3-4-1 Marunouchi,  
Chiyoda-Ku, Japan 100-0005  
Tel: +81-9055297496  
E-mail: jp-sales@inventronicsglobal.com

英飞特电子印尼办事处  
JB Tower 10th floor  
Jl. Kebon Sirih no. 48-50 Gambir, Jakarta, 10110, Indonesia  
Tel: +62 21 5095 8096  
Email: id-sales@inventronicsglobal.com

英飞特电子新加坡办事处  
7 Holland Village Way,  
Lobby B, #05-03 / 04 / 05,  
Singapore 275748  
Tel: +65 9337 5247  
E-mail: sg-sales@inventronicsglobal.com

广州英飞特科技有限公司  
广州市番禺区钟村街福华路15号1105-1107  
E-mail: ds\_mktg@inventronicsglobal.com

英飞特(香港)有限公司  
E-mail: sales@inventronicsglobal.com

英飞特韩国有限公司  
Suite-615, 501, Teheran-ro, Gangnam-gu, Seoul,  
Republic of Korea (06168) (V-flex)  
Email: kr-sales@inventronicsglobal.com

英飞特电子泰国办事处  
E-mail: th-sales@inventronicsglobal.com

英飞特电子越南办事处  
E-mail: vn-sales@inventronicsglobal.com

英飞特马来西亚有限公司  
Level 4, Uptown 7, Jalan SS21/39, Damansara Utama,  
47400 Petaling Jaya, Selangor, Malaysia  
Tel: +6012 398 1085  
E-mail: my-sales@inventronicsglobal.com

英飞特电子澳大利亚办事处  
NSW, Australia  
E-mail: anz-sales@inventronicsglobal.com

## ▶ 欧洲地区

英飞特电子欧洲公司  
Polluxstraat 21, 5047 RA Tilburg, The Netherlands  
Tel: +31-857-470-061  
Email: eu-sales@inventronicsglobal.com

英飞特电子意大利公司  
Via Castagnole 65/A, 31100 Treviso, Italy  
Email: support@inventronicsglobal.com

英飞特电子德国公司  
Parking 31-33, 85748 Garching, Germany  
Email: support@inventronicsglobal.com

英飞特电子法国公司  
18 Rue Gaston Romazzotti, 67120 Molsheim, France  
Tel: +33 3 68 41 88 99  
Email: support@inventronicsglobal.com

## ▶ 印度地区

英飞特电子印度公司  
Head Office: 4th & 5th Floor, B-Wing, Skyheights, Valipeer  
Road, Kalyan (west), Pin Code-421301  
Factory: Survey No.15, All India Logistics Park, Janval Village,  
Lonad Village Road, Taluka- Bhiwandi -421 302-Thane  
Tel: +91-9845054416  
E-mail: in-sales@inventronicsglobal.com

## ▶ 中东与非洲地区

英飞特电子阿联酋公司  
#405 E wing HQ Building, DSO, Dubai, UAE  
E-mail: support@inventronicsglobal.com

## ▶ 美洲地区

英飞特电子美国公司  
2825 S Tulsa Ave. Oklahoma City, OK 73108 USA  
Tel: +1-405-600-7480  
E-mail: usa-sales@inventronicsglobal.com

英飞特电子墨西哥公司  
Carretera San Martín de las Flores #520  
Building 8A Parque Industrial Prologis El Salto  
San Pedro Tlaquepaque, Jalisco, Mexico  
Tel: +521 3338634039  
E-mail: usa-sales@inventronicsglobal.com

英飞特电子巴西办事处  
Barueri/SP, Brazil  
Tel: +55(11)2680-8310  
E-mail: usa-sales@inventronicsglobal.com



请扫码获取更多地区  
销售联系方式



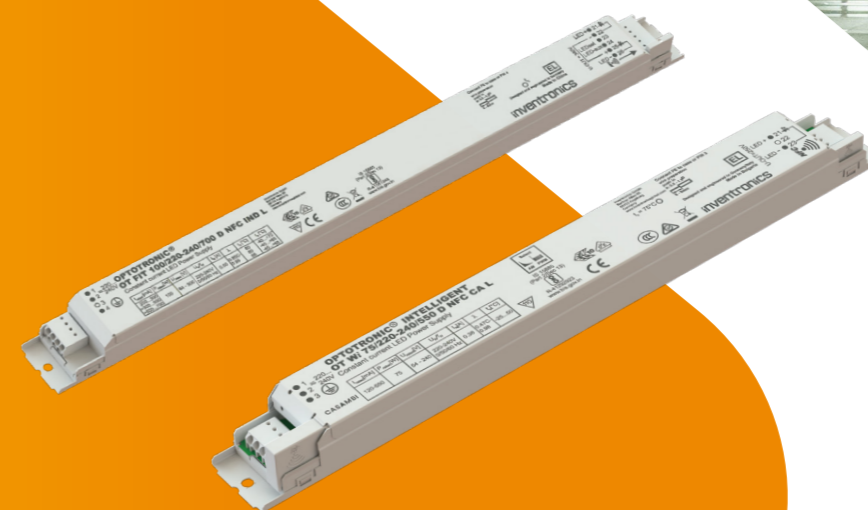
inventronicsglobal.com

inventronics  
英飞特电子

# 工业照明 长条形电源选型手册



工业照明



Guangzhou Metro Line 11, China

2026 H1

# 工业照明系统解决方案

## 需要稳定可靠

确保您的仓库、制造工厂和物流中心能够在高适配的照明环境下运作，以保障精准和安全的工作条件，同时尽可能减少维护和能源成本。

我们的重工业照明产品以高可靠性著称，即使在恶劣环境中同样能够提供高亮度、卓越性能及无与伦比的效率和耐用性。

## 专业优势

为您的照明系统选用我们全套可靠耐用的 LED 模组、智能驱动电源、控制组件以及传感器，全球供应，助您实现：



视觉舒适度、  
能效优化与智能调控



专为严苛恶劣环境设计，  
避免机器干扰



严苛环境适应性  
与卓越耐用性

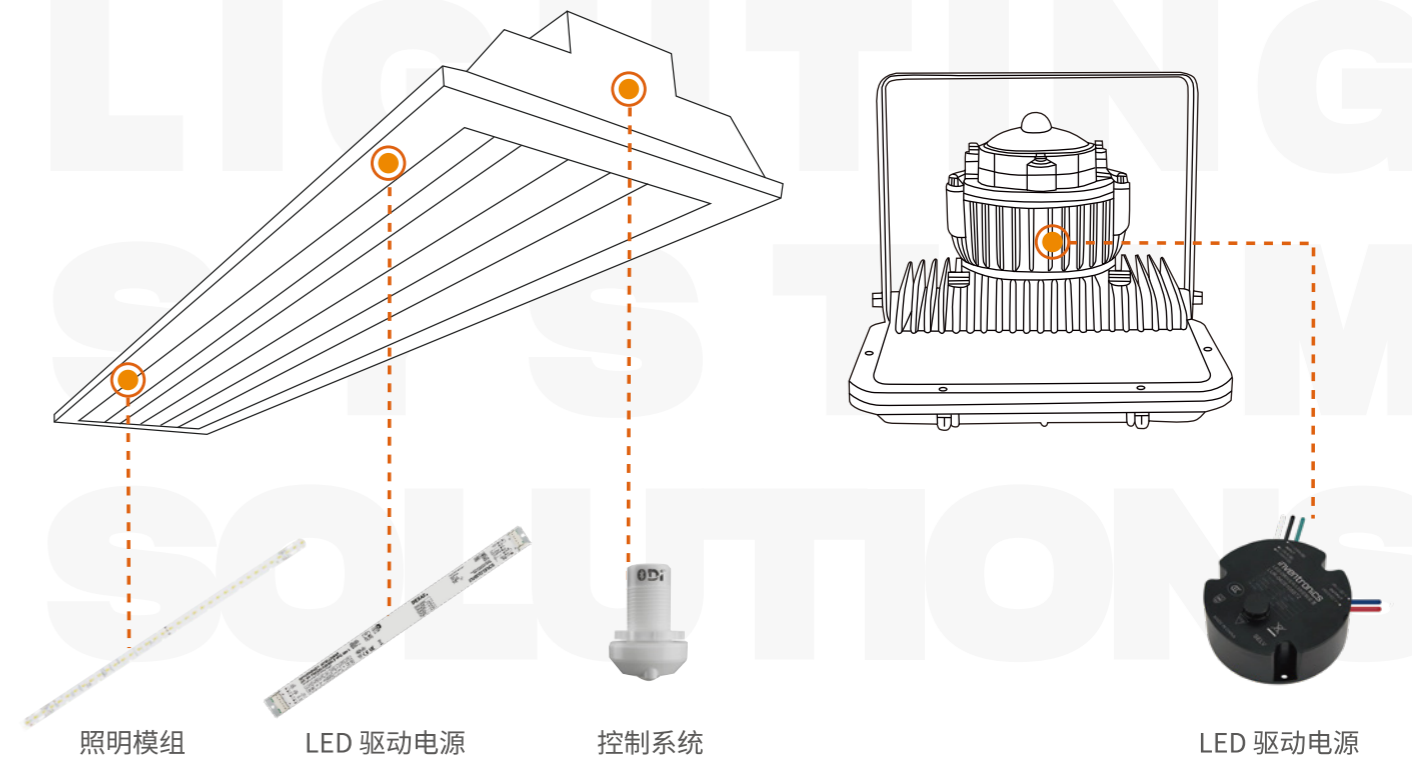


特殊防爆解决方案

## 系统价值

- 基于全面验证的高可靠性组件，我们打造了系统化的整体解决方案，确保设备长期稳定运行，无惧易燃易爆等高风险环境。
- 系统设计兼顾高能效与持久耐用性，坚固的结构设计配合低维护需求，有效保障危险环境中的生产安全。
- 已验证组件间无缝协作，涵盖LED模组、智能驱动电源、传感器和控制系统。
- 卓越照明控制功能：从流畅的开关调光、群组场景控制、到日光采集技术一应俱全。
- 增强型监控功能：能耗监测、电压峰值预警、剩余寿命追踪，支持云端远程访问。
- 最快的预安装编程速度与人性化的现场调试体验。

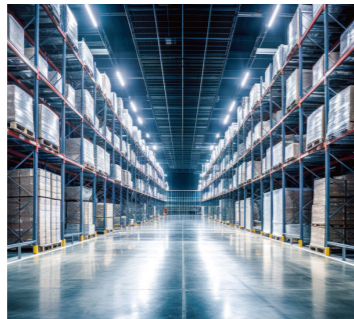
## 照明系统解决方案



## 细分应用场景



生产工厂



物流和仓储



室内运输



停车场



石油钻井平台



钢铁生产/炼油厂



采矿



重工业

Family 系列	Dimming 调光	Programming 编程	Industrial 工业	CCT 色温	Non isolated: Max Output Power 非隔离:最大输出功率					SELV: Max Output Power SELV:最大输出功率					
OTi DX D NFC IND L	DEXAL(D4i)	DEXAL, NFC	Yes	No					100W	150W					
OTi DALI D NFC IND L	DALI, Corridor, Touch DIM	DALI,NFC	Yes	No				75W	100W	150W	300W				
OT WI D NFC BL/CA L	Wireless	NFC	Yes	No			35W	75W	100W						
OT WI NFC BL/CA L	Wireless	NFC	Yes	No								35W	50W	80W	
OTi DX D NFC L	DEXAL(D4i)	DEXAL, NFC	Yes	No			35W	75W							
OTi DX NFC L	DEXAL(D4i)	DEXAL, NFC		No								35W	50W	80W	
OTi DALI D NFC L HE	DALI, Corridor, Touch DIM	DALI,NFC	Yes	No				75W		150W					
OTi DALI D LT2 UF L	DALI, Corridor, Touch DIM	DALI, LEDset, NFC	Yes	No			35W	75W							
OTi DALI D NFC TW L	DALI, Corridor, Touch DIM	DALI,NFC	Yes	Tunable White			35W	75W							
OTi DALI NFC TW L	DALI, Corridor, Touch DIM	DALI,NFC		Tunable White								35W		75W	
OTi DALI NFC L	DALI, Corridor, Touch DIM	DALI,NFC		No							25W	35W	50W	80W	
IT DALI N DS L	DALI, Corridor, Touch DIM	DALI, LEDset, Dipswitch	Yes	No			40W	80W	100W						
IT DALI LT2 L	DALI, Corridor, Touch DIM	DALI, LEDset		No							25W	40W		75W	100W
LUM Series	0-10V/PWM/Rset	GUI	Yes	No							20W	30W	50W	85W	
OT FIT NFC IND L	On/Off	Dipswitch	Yes	No				75W	100W	150W	300W				
OT FIT D NFC L HE	On/Off	Dipswitch	Yes	No				75W		150W					
EM FIT CS L G3	On/Off	Dipswitch	Yes	No							18W	40W	60W	75W	
EM FIT D CS L G3	On/Off	Dipswitch	Yes	No	18W	40W	60W	75W							
EM FIT D CS L CCT	On/Off	Dipswitch	Yes	Selection	18W	40W	60W	75W							



OTI DX D NFC IND L



OTI DALI D NFC IND L



OT WI D NFC BL/CAL



OT WI NFC BL/CAL



OTI DX D NFC L

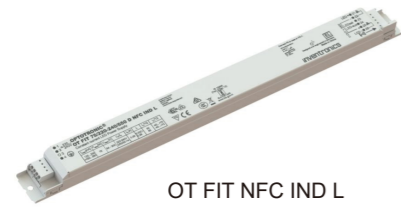


OTI DX NFC L

Product Family 产品系列	Product Name 产品名字	EAN10 订货号	Isolation 隔离	Dimming Interface 调光方式	Touch DIM 按键调光	Program- ming Interface 编程接口	Emer- gency Mode 应急模式	Input Voltage AC 输入电压 AC	Input Voltage DC 输入电压 DC	Output Power 输出功率	Output Voltage 输出电压	Output Current 输出电流	Power Factor 功率因数 [λ]	Efficiency (max) 最大效率 [%]	Ripple (100Hz) 纹波电流 [%]	Lifetime 产品寿命 [h]	Ambient Temperature Range 工作环境温度 [°C]	Max Tc 最高 温度 [°C]	Protection Class 适用 灯具等级	IP Rating 防护等级	Length 长度 [mm]	Width 宽度 [mm]	Height 高度 [mm]	Certificates & Approbations 认证	Standard pack 标准包装 [pcs.]
OTI DX D NFC IND L	OTI DX 100/220-240/700 D NFC IND L	6937186111890	Non isolated	DEXAL(D4i)	No	DEXAL, NFC	Yes	198...264 V	176...276 V	23...100 W	64...300 V	200...700 mA	0.57C...0.98	93	< 1	50k / 100k	-40+70	85	I	IP20	425	30	21	CE, ENEC, CCC, RCM, BIS, KC, EL	20
	OTI DX 150/220-240/850 D NFC IND L	6937186111913	Non isolated	DEXAL(D4i)	No	DEXAL, NFC	Yes	198...264 V	176...276 V	43...150 W	64...300 V	250...850 mA	0.61C...0.99	93	< 1	50k / 100k	-40+65	85	I	IP20	425	30	21	CE, ENEC, CCC, RCM, BIS, KC, EL	20
OTI DALI D NFC IND L	OTI DALI 75/220-240/550 D NFC IND L	6977770436589	Non isolated	DALI, Corridor, Touch DIM	Yes	DALI, NFC	Yes	198...264 V	176...276 V	8...75	64...300 V	125...550 mA	0.49C...0.98	94	< 1	50k / 100k	-40+70	85	I	IP20	360	30	21	CE, ENEC, CCC, RCM, BIS, KC, EL	20
	OTI DALI 100/220-240/700 D NFC IND L	6977770436503	Non isolated	DALI, Corridor, Touch DIM	Yes	DALI, NFC	Yes	198...264 V	176...276 V	28...100	64...300 V	200...700 mA	0.58C...0.98	95	< 1	50k / 100k	-40+70	85	I	IP20	360	30	21	CE, ENEC, CCC, RCM, BIS, KC, EL	20
	OTI DALI 150/220-240/700 D NFC IND L	6977770436626	Non isolated	DALI, Corridor, Touch DIM	Yes	DALI, NFC	Yes	198...264 V	176...276 V	43...150	64...260 V	200...700 mA	0.53C...0.99	94	< 1	50k / 100k	-40+60	85	I	IP20	360	30	21	CE, ENEC, CCC, RCM, BIS, KC, EL	20
	OTI DALI 150/220-240/1A0 D NFC IND L	6977770436527	Non isolated	DALI, Corridor, Touch DIM	Yes	DALI, NFC	Yes	198...264 V	176...276 V	43...150	64...300 V	250...1000 mA	0.59C...0.99	95	< 1	50k / 100k	-40+65	85	I	IP20	425	30	21	CE, ENEC, CCC, RCM, BIS, KC, EL	20
	OTI DALI 300/220-240/1A6 D NFC IND L	6977770436602	Non isolated	DALI, Corridor, Touch DIM	Yes	DALI, NFC	Yes	198...264 V	176...276 V	80...300	60...300 V	250...1550 mA	0.34C...0.99	96	< 1	50k / 100k	-40+60	85	I	IP20	360	46	28	CE, ENEC, CCC, RCM, BIS, KC, EL	20
OT WI D NFC BL/CAL	OT WI 35/220-240/400 D NFC CAL	6937186111999	Non isolated	Casambi	No	NFC	Yes	198...264 V	176...276 V	4...38	54...240 V	75...400 mA	0.47C...0.97	93	< 1	50k / 100k	-25+60	75	I	IP20	280	30	21	CE, ENEC, CCC, RCM, BIS, KC, EL	20
	OT WI 75/220-240/550 D NFC CAL	6937186112026	Non isolated	Casambi	No	NFC	Yes	198...264 V	176...276 V	6.5...75	54...240 V	125...550 mA	0.47C...0.98	93	< 1	50k / 100k	-25+50	75	I	IP20	280	30	21	CE, ENEC, CCC, RCM, BIS, KC, EL	20
	OT WI 100/220-240/750 D NFC CAL	6937186112033	Non isolated	Casambi	No	NFC	Yes	198...264 V	176...276 V	5.4...100	54...240 V	100...750 mA	0.39C...0.99	94	< 1	50k / 100k	-25+50	75	I	IP20	280	30	21	CE, ENEC, CCC, RCM, BIS, KC, EL	20
	OT WI 35/220-240/400 D NFC BLL	6937186112057	Non isolated	Hubsense	No	NFC	Yes	198...264 V	176...276 V	4...38	54...240 V	75...400 mA	0.47C...0.97	92	< 1	50k / 100k	-25+60	75	I	IP20	280	30	21	CE, ENEC, CCC, RCM, BIS, KC, EL	20
	OT WI 75/220-240/550 D NFC BLL	6937186112071	Non isolated	Hubsense	No	NFC	Yes	198...264 V	176...276 V	6.5...75	54...240 V	125...550 mA	0.47C...0.98	93	< 1	50k / 100k	-25+50	75	I	IP20	280	30	21	CE, ENEC, CCC, RCM, BIS, KC, EL	20
	OT WI 100/220-240/750 D NFC BLL	6937186112095	Non isolated	Hubsense	No	NFC	Yes	198...264 V	176...276 V	5.4...100	54...240 V	100...750 mA	0.39C...0.99	94	< 1	50k / 100k	-25+50	75	I	IP20	280	30	21	CE, ENEC, CCC, RCM, BIS, KC, EL	20
OT WI NFC BL/CAL	OT WI 35/220-240/1A0 NFC CAL	6937186112118	SELV	CASAMBI	No	NFC	Yes	198...264 V	176...276 V	4...37	15...54 V	200...1050 mA	0.61C...0.98	89	< 3	50k / 100k	-25+60	80	I	IP20	280	30	21	CE, ENEC, CCC, RCM, BIS, KC, EL	20
	OT WI 50/220-240/1A4 NFC CAL	6937186112132	SELV	CASAMBI	No	NFC	Yes	198...264 V	176...276 V	12...54	15...54 V	400...1400 mA	0.72C...0.98	90	< 3	50k / 100k	-25+50	75	I	IP20	280	30	21	CE, ENEC, CCC, RCM, BIS, KC, EL	20
	OT WI 80/220-240/2A1 NFC CAL	6937186112156	SELV	CASAMBI	No	NFC	Yes	198...264 V	176...276 V	32...80	20...54 V	600...2100 mA	0.83C...0.99	90	< 3	50k / 100k	-25+50	80	I	IP20	280	30	21	CE, ENEC, CCC, RCM, BIS, KC, EL	20
	OT WI 35/220-240/1A0 NFC BLL	6937186112170	SELV	Hubsense	No	NFC	Yes	198...264 V	176...276 V	4...37	15...54 V	200...1050 mA	0.61C...0.98	89	< 3	50k / 100k	-25+60	80	I	IP20	280	30	21	CE, ENEC, CCC, RCM, BIS, KC, EL	20
	OT WI 50/220-240/1A4 NFC BLL	6937186112194	SELV	Hubsense	No	NFC	Yes	198...264 V	176...276 V	12...54	15...54 V	400...1400 mA	0.72C...0.98	90	< 3	50k / 100k	-25+50	75	I	IP20	280	30	21	CE, ENEC, CCC, RCM, BIS, KC, EL	20
	OT WI 80/220-240/2A1 NFC BLL	6937186112217	SELV	Hubsense	No	NFC	Yes	198...264 V	176...276 V	32...80	20...54 V	600...2100 mA	0.83C...0.99	90	< 3	50k / 100k	-25+50	80	I	IP20	280	30	21	CE, ENEC, CCC, RCM, BIS, KC, EL	20
OTI DX D NFC L	OTI DX 35/220-240/400 D NFC L	6937186111852	Non isolated	DEXAL(D4i)	No	DEXAL, NFC	Yes	198...264 V	176...276 V	4-38	54...240 V	75...400 mA	0.45C...0.96	90	< 4	50k / 100k	-25+60	75	I	IP20	360	30	21	CE, ENEC, CCC, RCM, BIS, KC, EL	20
	OTI DX 75/220-240/600 D NFC L	6937186111876	Non isolated	DEXAL(D4i)	No	DEXAL, NFC	Yes	198...264 V	176...276 V	6.75-75	54...240 V	120...600 mA	0.46C...0.98	93	< 4	50k / 100k	-25+55	75	I	IP20	360	30	21	CE, ENEC, CCC, RCM, BIS, KC, EL	20
OTI DX NFC L	OTI DX 35/220-240/700 NFC L	6937186111937	SELV	DALI, Corridor, Touch DIM	Yes	DEXAL, NFC	Yes	198...264 V	176...276 V	4...37 W	15...54 V	200...1050 mA	0.3C...0.95	89	≤ 3	50k / 100k	-25...+60	80	I	IP20	360	30	21	CE, EL, ENEC, CCC, BIS, RCM	20
	OTI DX 50/220-240/1A4 NFC L	6937186111951	SELV	DALI, Corridor, Touch DIM	Yes	DEXAL, NFC	Yes	198...264 V	176...276 V	12...54 W	15...54 V	400...1400 mA	0.55C...0.95	90	≤ 3	50k / 100k	-25...+50	75	I	IP20	360	30	21	CE, EL, ENEC, CCC, BIS, RCM	20
	OTI DX 80/220-240/2A1 NFC L	6937186111975	SELV	DALI, Corridor, Touch DIM	Yes	DEXAL, NFC	Yes	198...264 V	176...276 V	32...80 W	15...54 V	600...2100 mA	0.65C...0.95	91	≤ 3	50k / 100k	-25...+50	75	I	IP20	360	30	21	CE, EL, ENEC, CCC, BIS, RCM	20



Product Family 产品系列	Product Name 产品名字	EAN10 订货号	Isolation 隔离	Dimming Interface 调光方式	Touch DIM 按键调光	Program- ming Interface 编程接口	Emer- gency Mode 应急模式	Input Voltage AC 输入电压 AC	Input Voltage DC 输入电压 DC	Output Power 输出功率	Output Voltage 输出电压	Output Current 输出电流	Power Factor 功率因数 [λ]	Efficiency (max) 最大效率 [%]	Ripple (100Hz) 纹波电流 [%]	Lifetime 产品寿命 [h]	Ambient Temperature Range 工作环境温度 [°C]	Max Tc 最高 温度 [°C]	Protection Class 适用 灯具等级	IP Rating 防护等级	Length 长度 [mm]	Width 宽度 [mm]	Height 高度 [mm]	Certificates & Approbations 认证	Standard pack 标准包装 [pcs.]
OTI DALI D NFC L HE	OTI DALI 75/220-240/550 N NFC L HE	6937186150226	Non isolated	DALI, Corridor, Touch DIM	Yes	DALI, NFC		198...264 V	176...276 V	2.7...75 W	54...240 V	35...550 mA	0.35C...0.99	95	≤ 1	50k / 100k	-25+55	75	I	IP20	280	30	16	CE,ENEC,CCC,RCM,BIS,KC,EL	20
	OTI DALI 150/220-240/1A0 N NFC L HE	6937186150240	Non isolated	DALI, Corridor, Touch DIM	Yes	DALI, NFC		198...264 V	176...276 V	6...150 W	64...300 V	100...1000 mA	0.30C...0.99	97	≤ 1	50k / 100k	-25+55	75	I	IP20	330	30	21	CE,ENEC,CCC,RCM,BIS,KC,EL	20
OTI DALI D LT2 UF L	OTI DALI 35/220-240/400 D LT2 UF L	6937186114853	Non isolated	DALI, Corridor, Touch DIM	Yes	DALI, NFC, LEDset		198...264 V	176...276 V	4...38 W	54...240 V	75...400 mA	0.38C...0.98	93	≤ 1	50k / 100k	-25...+60	75	I	IP20	360	30	11	CE,ENEC,CCC,RCM,BIS,KC,EL	20
	OTI DALI 75/220-240/700 D LT2 UF L	6937186114877	Non isolated	DALI, Corridor, Touch DIM	Yes	DALI, NFC, LEDset		198...264 V	176...276 V	9.7...75 W	54...240 V	150...700 mA	0.61C...0.97	93	≤ 1	50k / 100k	-25...+50	75	I	IP20	360	30	11	CE,ENEC,CCC,RCM,BIS,KC,EL	20
OTI DALI D NFC TW L	OTI DALI 35/220-240/400 D NFC TW L	6937186112231	Non isolated	DALI, Corridor, Touch DIM	Yes	DALI, NFC		198...264 V	176...276 V	4...38 W	45...240 V	75...400 mA	0.47C...0.95	90	≤ 1	50k / 100k	-25...+50	75	I	IP20	360	30	21	CE,ENEC,CCC,RCM,BIS,KC,EL	20
	OTI DALI 75/220-240/700 D NFC TW L	6937186112255	Non isolated	DALI, Corridor, Touch DIM	Yes	DALI, NFC		198...264 V	176...276 V	8.1...75 W	50...240 V	150...700 mA	0.59C...0.98	91	≤ 1	50k / 100k	-25...+50	75	I	IP20	360	30	21	CE,ENEC,CCC,RCM,BIS,KC,EL	20
OTI DALI NFC TW L	OTI DALI 35/220-240/700 NFC TW L	6937186112316	SELV	DALI, Corridor, Touch DIM	Yes	DALI, NFC		198...264 V	176...276 V	4...38 W	15...54 V	200...700 mA	0.73C...0.98	88	≤ 1	50k / 100k	-25...+60	78	I	IP20	360	30	21	CE, EL, VDE-ENEC, EAC, CCC, RCM, BIS	20
	OTI DALI 75/220-240/1A4 NFC TW L	6937186112330	SELV	DALI, Corridor, Touch DIM	Yes	DALI, NFC		198...264 V	176...276 V	8...75 W	15...54 V	400...1400 mA	0.57C...0.95	90	≤ 1	50k / 100k	-25...+50	75	I	IP20	360	30	21	CE, EL, VDE-ENEC, EAC, CCC, RCM, BIS	20
OTI DALI NFC L	OTI DALI 25/220-240/700 NFC L	6937186106582	SELV	DALI, Corridor, Touch DIM	Yes	DALI, NFC		198...264 V	176...276 V	2...28 W	15...54 V	100...700 mA	0.42C...0.97	90	≤ 3	50k / 100k	-25...+60	75	I	IP20	280	30	21	CE, EL, VDE-ENEC, EAC, CCC, BIS, RCM	20
	OTI DALI 35/220-240/1A0 NFC L	6937186106605	SELV	DALI, Corridor, Touch DIM	Yes	DALI, NFC		198...264 V	176...276 V	4...37 W	15...54 V	200...1050 mA	0.61C...0.98	91	≤ 3	50k / 100k	-25...+60	75	I	IP20	280	30	21	CE, EL, VDE-ENEC, EAC, CCC, BIS, RCM	20
	OTI DALI 50/220-240/1A4 NFC L	6977078993401	SELV	DALI, Corridor, Touch DIM	Yes	DALI, NFC		198...264 V	176...276 V	12...54 W	15...54 V	400...1400 mA	0.72C...0.98	91	≤ 3	50k / 100k	-25...+50	75	I	IP20	280	30	21	CE, EL, VDE-ENEC, EAC, CCC, BIS, RCM	20
	OTI DALI 80/220-240/2A1 NFC L	6937186106629	SELV	DALI, Corridor, Touch DIM	Yes	DALI, NFC		198...264 V	176...276 V	32...80 W	20...54 V	600...2100 mA	0.83C...0.99	91	≤ 3	50k / 100k	-25...+50	80	I	IP20	360	30	21	CE, EL, VDE-ENEC, EAC, CCC, BIS, RCM	20
IT DALI N DS L	IT DALI 40/220-240/0A45/N DS L	6937186168405	Non isolated	DALI, Corridor, Touch DIM	Yes	DALI, LEDset, Dipswitch		198...264 V	176...276 V	5.4...40 W	54 - 240 V	100...450 mA	0.46C...0.97	92.5	< 5	50k / 100k	-25+60	75	I	IP20	280	30	21	CE,ENEC,CCC,RCM,BIS,KC,EL	20
	IT DALI 80/220-240/0A55/N DS L	6937186168429	Non isolated	DALI, Corridor, Touch DIM	Yes	DALI, LEDset, Dipswitch		198...264 V	176...276 V	13.5...80 W	90 - 240 V	150...550 mA	0.52C-0.98	94.5	< 5	50k / 100k	-25+50	75	I	IP20	280	30	21	CE,ENEC,CCC,RCM,BIS,KC,EL	20
	IT DALI 100/220-240/0A8/N DS L	6937186168443	Non isolated	DALI, Corridor, Touch DIM	Yes	DALI, LEDset, Dipswitch		198...264 V	176...276 V	27...100 W	90 - 240 V	300...800 mA	0.85C-0.98	94.5	< 5	50k / 100k	-25+50	75	I	IP20	280	30	21	CE,ENEC,CCC,RCM,BIS,KC,EL	20
IT DALI LT2 L	IT DALI 25/220-240/500 LT2 L	6977770430471	SELV	DALI, Corridor, Touch DIM	Yes	DALI, LEDset		198...264 V	176...276 V	4...25 W	20...54 V	200...500 mA	0.57C...0.99	92	≤ 3	50k / 100k	-25...+60	75	I	IP20	280	30	21	CE, ENEC, CCC, BIS, RCM, DALI-2, EL	20
	IT DALI 40/220-240/750 LT2 L	6977770430495	SELV	DALI, Corridor, Touch DIM	Yes	DALI, LEDset		198...264 V	176...276 V	4...40 W	20...54 V	300...750 mA	0.45C...0.99	92	≤ 3	50k / 100k	-25...+60	85	I	IP20	280	30	21	CE, ENEC, CCC, BIS, RCM, DALI-2, EL	20
	IT DALI 75/220-240/1A4 LT2 L	6977770430457	SELV	DALI, Corridor, Touch DIM	Yes	DALI, LEDset		198...264 V	176...276 V	12...75 W	20...54 V	600...1400 mA	0.71C...0.99	92	≤ 3	50k / 100k	-25...+50	85	I	IP20	280	30	21	CE, ENEC, CCC, BIS, RCM, DALI-2, EL	20
	IT DALI 100/220-240/2A1 LT2 L	6977770430518	SELV	DALI, Corridor, Touch DIM	Yes	DALI, LEDset		198...264 V	176...276 V	20...100 W	20...54 V	1000...2100 mA	0.71C...0.99	92	≤ 3	50k / 100k	-25...+50	90	I	IP20	360	30	21	CE, ENEC, CCC, BIS, RCM, DALI-2, EL	20
LUM Series	LUM-020S100MTF	6937186100146	SELV	0-10V/PWM/Rset	No	GUI		100...305 V	n.a.	1...20 W	10...54 V	100...1050 mA	≥ 0.9	85.0	< 5	50k / 100k	-40+50	90	I	IP20	280	30	26	UL Class P/FCC	40
	LUM-030S100MTF	6937186100085	SELV	0-10V/PWM/Rset	No	GUI		100...305 V	n.a.	1...30 W	10...55 V	100...1050 mA	≥ 0.9	85.0	< 5	50k / 100k	-40+50	90	I	IP20	280	30	26	UL Class P/FCC	40
	LUM-050S140MTF	6937186100108	SELV	0-10V/PWM/Rset	No	GUI		100...305 V	n.a.	4.8...50 W	12...55 V	400...1400 mA	≥ 0.9	86.0	< 5	50k / 100k	-40+50	90	I	IP20	280	30	26	UL Class P/FCC	40
	LUM-085S240MTF	6937186100122	SELV	0-10V/PWM/Rset	No	GUI		100...305 V	n.a.	7-80 W	10...55 V	700...2400 mA	≥ 0.9	91.0	< 5	50k / 100k	-40+50	90	I	IP20	280	30	26	UL Class P/FCC	40



OT FIT NFC IND L



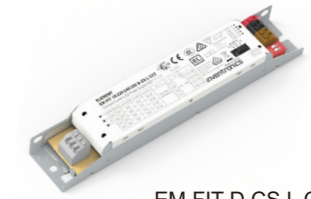
OT FIT D NFC L HE



EM FIT CS L G3



EM FIT D CS L G3



EM FIT D CS L CCT

Product Family 产品系列	Product Name 产品名字	EAN10 订货号	Isolation 隔离	Dimming interface 调光方式	Touch DIM 按键 调光	Progra- mming Interface 编程接口	Emer- gency Mode 应急模式	Input Voltage AC 输入电压 AC	Input Voltage DC 输入电压 DC	Output Power 输出功率	Output Voltage 输出电压	Output Current 输出电流	Power Factor 功率因数 [A]	Efficiency (max.) 最大效率 [%]	Ripple (100Hz) 纹波电流 [mA]	Lifetime 产品寿命 [h]	Ambient Temperature Range 工作环境温度 [°C]	Max Tc 最高 温度 [°C]	Protection Class 适用 灯具等级	IP Rating 防护等级	Length 长度 [mm]	Width 宽度 [mm]	Height 高度 [mm]	Certificates & Approbations 认证	Standard pack 标准包装 [pcs.]
OT FIT NFC IND L	OT FIT 75/220-240/550 D NFC IND L	6937186103703	Non isolated	not relevant	No	NFC	Yes	198...264 V	176...276 V	8.0...75 W	64...300 V	125...550 mA	0.53C...0.98	94	≤ 1	50k / 100k	-40...+70	85	I	IP20	360	30	21	CE, ENEC, CCC, RCM, BIS, KC, EL	20
	OT FIT 100/220-240/700 D NFC IND L	6977770438309	Non isolated	not relevant	No	NFC	Yes	198...264 V	176...276 V	28...100 W	64...300 V	200...700 mA	0.85C...0.99	96	≤ 1	50k / 100k	-40...+70	85	I	IP20	360	30	21	CE, ENEC, CCC, RCM, BIS, KC, EL	20
	OT FIT 150/220-240/1A0 D NFC IND L	6977770438323	Non isolated	not relevant	No	NFC	Yes	198...264 V	176...276 V	43...150 W	64...300 V	250...1000 mA	0.85C...0.99	95	≤ 1	50k / 100k	-40...+70	85	I	IP20	360	30	21	CE, ENEC, CCC, RCM, BIS, KC, EL	20
	OT FIT 300/220-240/1A6 D NFC IND L	6937186103727	Non isolated	not relevant	No	NFC	Yes	198...264 V	176...276 V	40...300 W	60...300 V	250...1550 mA	0.69C...0.99	96	≤ 1	50k / 100k	-40...+65	85	I	IP20	360	46	28	CE, ENEC, CCC, RCM, BIS, KC, EL	10
OT FIT D NFC L HE	OT FIT 75/220-240/550 N NFC L HE	6937186128447	Non isolated	not relevant	No	NFC	Yes	198...264 V	176...276 V	4...75 W	54...240 V	35...550 mA	0.50C...0.99	95.1	≤ 1	50k / 100k	-25...+55	75	I	IP20	280	30	11	CE, ENEC, CCC, RCM, BIS, KC, EL	20
	OT FIT 150/220-240/1A0 N NFC L HE	6937186128461	Non isolated	not relevant	No	NFC	Yes	198...264 V	176...276 V	28...150 W	64...300 V	200...1000 mA	0.75C...0.99	97	≤ 1	50k / 100k	-25...+55	80	I	IP20	280	30	21	CE, ENEC, CCC, RCM, BIS, KC, EL	20
EM FIT CS L G3	EM FIT 18/220-240/350 CS L G3	6937186176509	SELV	not relevant	No	Dipswitch	Yes	220...240 V	176...276 V	5.4...17.9 W	27...51 V	200 mA, 250 mA, 300 mA, 350 mA	0.75C...0.95	88	≤ 3	50k / 100k	-30...+60	75	I	IP20	168	30	21	CE, ENEC, CCC, RCM, BIS, KC, EL	50
	EM FIT 40/220-240/800 CS L G3	6937186176523	SELV	not relevant	No	Dipswitch	Yes	220...240 V	176...276 V	13.5...40.8 W	27...51 V	500 mA, 600 mA, 700 mA, 800 mA	0.8C...0.95	90.5	≤ 3	50k / 100k	-30...+60	80	I	IP20	168	30	21	CE, ENEC, CCC, RCM, BIS, KC, EL	50
	EM FIT 60/220-240/1A2 CS L G3	6937186176547	SELV	not relevant	No	Dipswitch	Yes	220...240 V	176...276 V	24.2...61.2 W	27...51 V	900 mA, 1050 mA, 1100 mA, 1200 mA	0.88C...0.95	90.5	≤ 3	50k / 100k	-30...+60	85	I	IP20	200	30	21	CE, ENEC, CCC, RCM, BIS, KC, EL	50
	EM FIT 75/220-240/1A6 CS L G3	6937186176561	SELV	not relevant	No	Dipswitch	Yes	220...240 V	176...276 V	35.1...81.6 W	27...51 V	1300 mA, 1400 mA, 1500 mA, 1600 mA	0.85C...0.95	91	≤ 3	50k / 100k	-30...+55	85	I	IP20	270	30	21	CE, ENEC, CCC, RCM, BIS, KC, EL	20
EM FIT D CS L G3	EM FIT 18/220-240/350 D CS L G3	6937186176400	Non isolated	not relevant	No	Dipswitch	Yes	220...240 V	176...276 V	4.8...18.9 W	24...54 V	200 mA, 250 mA, 300 mA, 350 mA	0.7C...0.95	88.5	≤ 3	50k / 100k	-30...+60	75	I	IP20	168	30	21	CE, ENEC, CCC, RCM, BIS, KC, EL	50
	EM FIT 40/220-240/350 D CS L G3	6937186176424	Non isolated	not relevant	No	Dipswitch	Yes	220...240 V	176...276 V	8...42 W	40...120 V	200 mA, 250 mA, 300 mA, 350 mA	0.7C...0.95	91.5	≤ 3	50k / 100k	-30...+60	85	I	IP20	168	30	21	CE, ENEC, CCC, RCM, BIS, KC, EL	50
	EM FIT 60/220-240/350 D CS L G3	6937186176462	Non isolated	not relevant	No	Dipswitch	Yes	220...240 V	176...276 V	18...61.3 W	90...175 V	200 mA, 250 mA, 300 mA, 350 mA	0.7C...0.95	91.5	≤ 3	50k / 100k	-30...+55	85	I	IP20	168	30	21	CE, ENEC, CCC, RCM, BIS, KC, EL	50
	EM FIT 75/220-240/550 D CS L G3	6937186176486	Non isolated	not relevant	No	Dipswitch	Yes	220...240 V	176...276 V	31.5...75.6 W	90...216 V	350 mA, 400 mA, 500 mA, 550 mA	0.8C...0.95	92.5	≤ 3	50k / 100k	-30...+55	85	I	IP20	210	30	21	CE, ENEC, CCC, RCM, BIS, KC, EL	50
EM FIT D CS L CCT	EM FIT 18/220-240/350 D CS L CCT	6937186176585	Non isolated	not relevant	No	Dipswitch	Yes	220...240 V	176...276 V	4.8...18.9 W	24...54 V	200 mA, 250 mA, 300 mA, 350 mA	0.7C...0.95	88.5	≤ 3	50k / 100k	-30...+60	75	I	IP20	168	30	21	CE, ENEC, CCC, RCM, BIS, KC, EL	50
	EM FIT 40/220-240/350 D CS L CCT	6937186176608	Non isolated	not relevant	No	Dipswitch	Yes	220...240 V	176...276 V	8...42 W	40...120 V	200 mA, 250 mA, 300 mA, 350 mA	0.7C...0.95	91.5	≤ 3	50k / 100k	-30...+60	85	I	IP20	168	30	21	CE, ENEC, CCC, RCM, BIS, KC, EL	50
	EM FIT 60/220-240/350 D CS L CCT	6937186176622	Non isolated	not relevant	No	Dipswitch	Yes	220...240 V	176...276 V	18...61.3 W	90...175 V	200 mA, 250 mA, 300 mA, 350 mA	0.7C...0.95	91.5	≤ 3	50k / 100k	-30...+55	85	I	IP20	168	30	21	CE, ENEC, CCC, RCM, BIS, KC, EL	50
	EM FIT 75/220-240/550 D CS L CCT	6937186176646	Non isolated	not relevant	No	Dipswitch	Yes	220...240 V	176...276 V	31.5...75.6 W	90...216 V	350 mA, 400 mA, 500 mA, 550 mA	0.8C...0.95	92.5	≤ 3	50k / 100k	-30...+55	85	I	IP20	210	30	21	CE, ENEC, CCC, RCM, BIS, KC, EL	50

